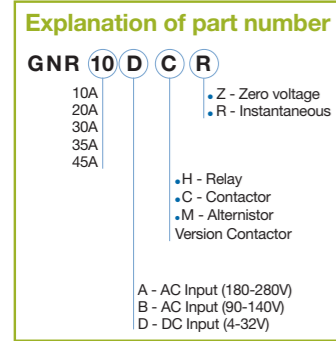




The new generation of high-performance solid state relays



GNR : Triac
GNR : Alternistor
GNR : Thyristor



GRD	Selection guide		Switched current 25°C - 40°C (A)	Output voltage (V)	Control voltage (V)	Switching ⁽²⁾	I ² t (A ² s) 50-60 Hz	Peak voltage (V)	Type of connection
	GRD	Cooltech							
-	GNR10DHZ	10-10	24-280 V AC	4-32 V DC	Zero voltage	340-280	550	Relay	
84130101	GNR10DCZ	10-10	24-280 V AC	4-32 V DC	Zero voltage	340-280	550	Contacteur	
-	GNR10BHZ	10-10	24-280 V AC	90-140 V AC	Zero voltage	340-280	550	Relay	
84130150	GNR10BCZ	10-10	24-280 V AC	90-140 V AC	Zero voltage	340-280	550	Contacteur	
-	GNR10AHZ	10-10	24-280 V AC	180-280 V AC	Zero voltage	340-280	550	Relay	
84130100	GNR10ACZ	10-10	24-280 V AC	180-280 V AC	Zero voltage	340-280	550	Contacteur	
84130103	GNR20DMZ	20-20	24-280 V AC	4-32 V DC	Zero voltage	750-600	550	Contacteur	
84130152	GNR20BMZ	20-20	24-280 V AC	90-140 V AC	Zero voltage	750-600	550	Contacteur	
84130102	GNR20AMZ	20-20	24-280 V AC	180-280 V AC	Zero voltage	750-600	550	Contacteur	
-	GNR20DHZ	20-20	48-600 V AC	4-32 V DC	Zero voltage	1225-1020	1100	Relay	
84130116	GNR20DCZ	20-20	48-600 V AC	4-32 V DC	Zero voltage	1225-1020	1100	Contacteur	
-	GNR20DHR	20-20	48-600 V AC	4-32 V DC	Instantaneous (Random)	1225-1020	1100	Relay	
-	GNR20DCR	20-20	48-660 V AC	4-32 V DC	Instantaneous (Random)	1225-1020	1100	Contacteur	
-	GNR20BHZ	20-20	48-600 V AC	90-140 V AC	Zero voltage	1225-1020	1100	Relay	
-	GNR20BCZ	20-20	48-600 V AC	90-140 V AC	Zero voltage	1225-1020	1100	Contacteur	
-	GNR20AHZ	20-20	48-600 V AC	180-280 V AC	Zero voltage	1225-1020	1100	Relay	
84130118	GNR20ACZ	20-20	48-600 V AC	180-280 V AC	Zero voltage	1225-1020	1100	Contacteur	
-	GNR30DHZ	30-30	48-600 V AC	4-32 V DC	Zero voltage	2850-2350	1100	Relay	
84130116	GNR30DCZ	30-30	48-600 V AC	4-32 V DC	Zero voltage	2850-2350	1100	Contacteur	
-	GNR30DHR	30-30	48-600 V AC	4-32 V DC	Instantaneous (Random)	2850-2350	1100	Relay	
84130117	GNR30DCR	30-30	48-600 V AC	4-32 V DC	Instantaneous (Random)	2850-2350	1100	Contacteur	
-	GNR30BHZ	30-30	48-600 V AC	90-140 V AC	Zero voltage	2850-2350	1100	Relay	
84130158	GNR30BCZ	30-30	48-600 V AC	90-140 V AC	Zero voltage	2850-2350	1100	Contacteur	
-	GNR30AHZ	30-30	48-600 V AC	180-280 V AC	Zero voltage	2850-2350	1100	Relay	
84130118	GNR30ACZ	30-30	48-600 V AC	180-280 V AC	Zero voltage	2850-2350	1100	Contacteur	
-	GNR35DHZ	35-35	48-600 V AC	4-32 V DC	Zero voltage	3000-2500	1100	Relay	
84130111	GNR35DCZ	35-35	48-600 V AC	4-32 V DC	Zero voltage	3000-2500	1100	Contacteur	
-	GNR35DHR	35-35	48-600 V AC	4-32 V DC	Instantaneous (Random)	3000-2500	1100	Relay	
84130112	GNR35DCR	35-35	48-600 V AC	4-32 V DC	Instantaneous (Random)	3000-2500	1100	Contacteur	
-	GNR35BHZ	35-35	48-600 V AC	90-140 V AC	Zero voltage	3000-2500	1100	Relay	
84130110	GNR35BCZ	35-35	48-600 V AC	90-140 V AC	Zero voltage	3000-2500	1100	Contacteur	
-	GNR35AHZ	35-35	48-600 V AC	180-280 V AC	Zero voltage	3000-2500	1100	Relay	
84130110	GNR35ACZ	35-35	48-600 V AC	180-280 V AC	Zero voltage	3000-2500	1100	Contacteur	
-	GNR45DHZ	45-45	48-600 V AC	4-32 V DC	Zero voltage	3200-2600	1100	Relay	
84130113	GNR45DCZ	45-45	48-600 V AC	4-32 V DC	Zero voltage	3200-2600	1100	Contacteur	
-	GNR45DHR	45-45	48-600 V AC	4-32 V DC	Instantaneous (Random)	3200-2600	1100	Relay	
84130114	GNR45DCR	45-45	48-600 V AC	4-32 V DC	Instantaneous (Random)	3200-2600	1100	Contacteur	
-	GNR45BHZ	45-45	48-600 V AC	90-140 V AC	Zero voltage	3200-2600	1100	Relay	
84130115	GNR45BCZ	45-45	48-600 V AC	90-140 V AC	Zero voltage	3200-2600	1100	Contacteur	
-	GNR45AHZ	45-45	48-600 V AC	180-260 V AC	Zero voltage	3200-2600	1100	Relay	
84130115	GNR45ACZ	45-45	48-600 V AC	180-260 V AC	Zero voltage	3200-2600	1100	Contacteur	
84130310	GNR25DCZ	25-25	48-600 V AC	4-32 V DC	Zero voltage	1250-1040	1100	Contacteur	
84130312	GNR25DCR	25-25	48-600 V AC	4-32 V DC	Instantaneous (Random)	1250-1040	1100	Contacteur	
84130311	GNR25BCZ	25-25	48-600 V AC	90-140 V AC	Zero voltage	1250-1040	1100	Contacteur	
84130311	GNR25ACZ	25-25	48-600 V AC	180-280 V AC	Zero voltage	1250-1040	1100	Contacteur	

- ADVANTAGE N°1**
A ready-to-use solution

"...The main benefits of the COOLTECH range in our opinion are primarily the absence of complex calculations prior to implementation, and its simplicity and speed of installation : You simply clip it on, wire it up and it's ready to use..."
Claudio M. Electrical contractor
- ADVANTAGE N°2**
Exceptional service life

"...I was particularly impressed by the excellent heat dissipation of COOLTECH solid state relays in relation to others currently available on the market, even at currents of 50A. Their service life is considerably better..."
Mick B. Project Manager
- ADVANTAGE N°3**
Silent switching

"...The use of a semiconductor in place of mechanical contactors is the key to discreet, silent operation, which is of particular importance in installations featuring several rows of DIN-mounted relays..."
Karl-Heinz W. Specifier
- ADVANTAGE N°4**
Conformity with the RoHS directive

"...In our daily business, we are highly sensitive not only to environmental issues but also to the health and safety of our teams. The fact that COOLTECH solid state relays are synonymous with these principles is what really swung it for us..."
Kevin C. Quality Manager
- ADVANTAGE N°5**
A bespoke Customer Adaptation Centre

"...We have certainly appreciated the applicability and effectiveness of the customised solutions offered by Crouzet. They took on board our specific production constraints to optimise the integration of their solid state relays in our equipment..."
Romuald D. Engineer

www.crouzet.com/cooltech



(1) A new 45 mm - 50 A version will be available at the end of 2006 (2) Zero-voltage switching : Cos φ ≥ 0,6 - Instantaneous switching : Cos φ < 0,6 (Alternistor version : Cos φ ≥ 0,7) CRZ SC 01/B - Réf. 67 155 02 GB - Communication Crouzet - Cixinélis - SEDOC - Imprimerie des Deux-Ponts - 04/2006