

DUAL

- Rating 2x25A or 2x40A
- Output voltage 24 to 660 V
- Back-to-back SCR
- Instantaneous or zero volt switching
- Input to output insulation voltage : 4000 V
- Protection by TVS-RL filter
- UL-Cul approval Tüv and CE marking



Specifications

Outputs	Current (A)	Output voltage	Input voltage	Casing	Instantaneous	Zero voltage
Faston	25	24-280 V AC	4-15 V DC	B	84 140 100	84 140 000
Faston	25	24-280 V AC	4-15 V DC	E	84 140 801	84 140 800
Faston	25	48-660 V AC	4-15 V DC	B	84 140 501	84 140 500
Faston	25	24-280 V AC	17-32 V DC	B	84 140 110	84 140 010
Faston	25	24-280 V AC	17-32 V DC	E	84 140 811	84 140 810
Faston	25	48-660 V AC	17-32 V DC	B	84 140 511	84 140 510
Faston	40	24-280 V AC	4-15 V DC	B	84 140 300	84 140 200
Faston	40	24-280 V AC	4-15 V DC	E	84 140 901	84 140 900
Faston	40	48-660 V AC	4-15 V DC	B	84 140 601	84 140 600
Faston	40	24-280 V AC	17-32 V DC	B	84 140 310	84 140 210
Faston	40	24-280 V AC	17-32 V DC	E	84 140 911	84 140 910
Faston	40	48-660 V AC	17-32 V DC	B	84 140 611	84 140 610
Screw	25	24-280 V AC	4-15 V DC	D	84 140 103	84 140 003
Screw	25	48-660 V AC	4-15 V DC	D	84 140 530	84 140 503
Screw	25	24-280 V AC	17-32 V DC	D	84 140 113	84 140 013
Screw	25	48-660 V AC	17-32 V DC	D	84 140 531	84 140 513
Screw	40	24-280 V AC	4-15 V DC	D	84 140 303	84 140 203
Screw	40	48-660 V AC	4-15 V DC	D	84 140 630	84 140 603
Screw	40	24-280 V AC	17-32 V DC	D	84 140 313	84 140 213
Screw	40	48-660 V AC	17-32 V DC	D	84 140 631	84 140 613

Output specifications

Voltage range V (rms) max	280	660
Peak voltage (1 min) V (peak)	500	1000
On-state voltage drop at I _{max} and T = 25 °C V (peak)	1.6	1.6
Max. leakage current mA (rms)	0.1	0.25
Minimum current mA (rms)	100	100
Maximum current	25 A	40A
Max 1 cycle surge A (rms) @ 25 °C	500	780
Max 1 second surge A (rms) @ 25 °C	150	234
I ² t (50-60 Hz) (A ² s)	1250-1000	3042-2435
Static (off-state) dv/dt (V/μs)	500	500
Thermal resistance junction to casing (°C/W)	0.6	0.4
Supply frequency range (Hz)	47 → 63	47 → 63
Cos φ (Zero voltage)	> 0.5	> 0.5

Input specifications

Turn-off voltage (V)	1
Maximum current at V _{max} (mA)	32
Response time (close) (ms)	Zero voltage : 8.33 ms (50Hz) - 10 ms (60Hz) Instantaneous : 100 μs

General characteristics

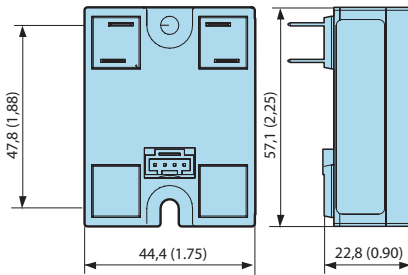
Operating temperature (°C)	-20 → +80
Storage temperature (°C)	-40 → +100
Input to output insulation voltage V (rms)	4000
Dielectric strength V (rms)	2500
Input/output capacitance (pF)	8
Material housing	Self-extinguishing (UL 94 V)
Material baseplate	Zamak
Weight (g)	97
Safety standards	
Conformity to standards	CE compliant with LVD 73/23/EEC UL/cUL recognized per UL 508 TUV certificated per EN 60950

User information

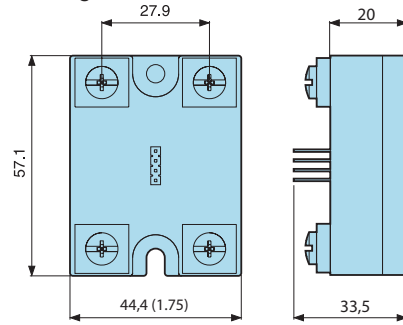
Solid State relays are power switching devices that are subject to internal heating, therefore they must be used in conjunction with a heat sink.

Dimensions

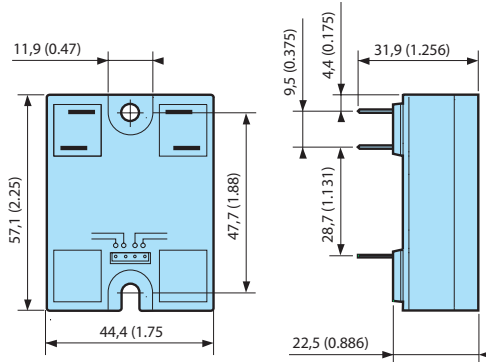
Casing E



Casing D

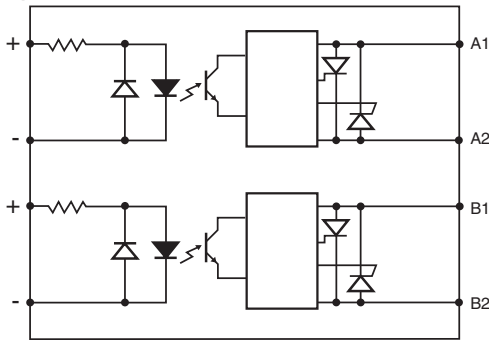


Casing B

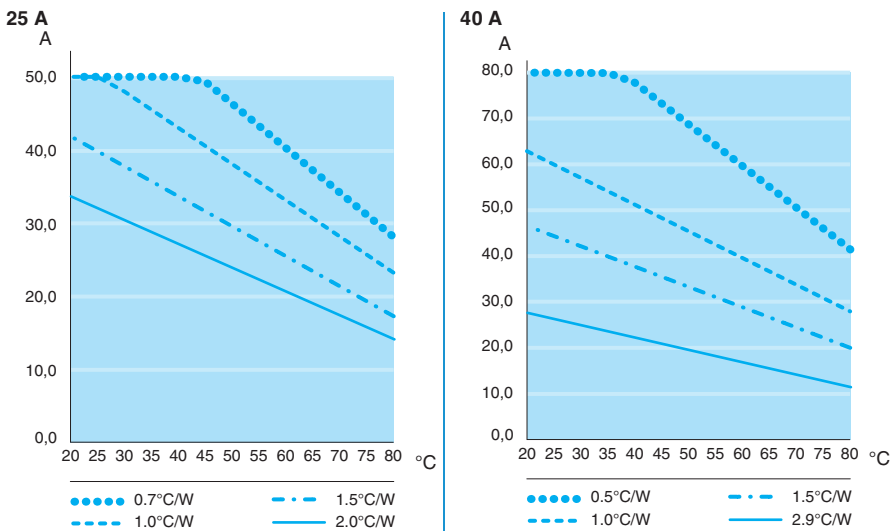


Connections

Equivalent circuits



Curves



Dual SSR thermal curves with both outputs switched on at the same time