



Product Information CR9-ADAPT

CompactPCI® Front Panel Adapter 3U → 6U

Document No. 1812 • Edition 2005-04

CompactPCI boards are widely available as single or double sized Eurocards. Typically, 19-inch rack mounting technology is used for *CompactPCI* systems, either 3U or 6U slot height.

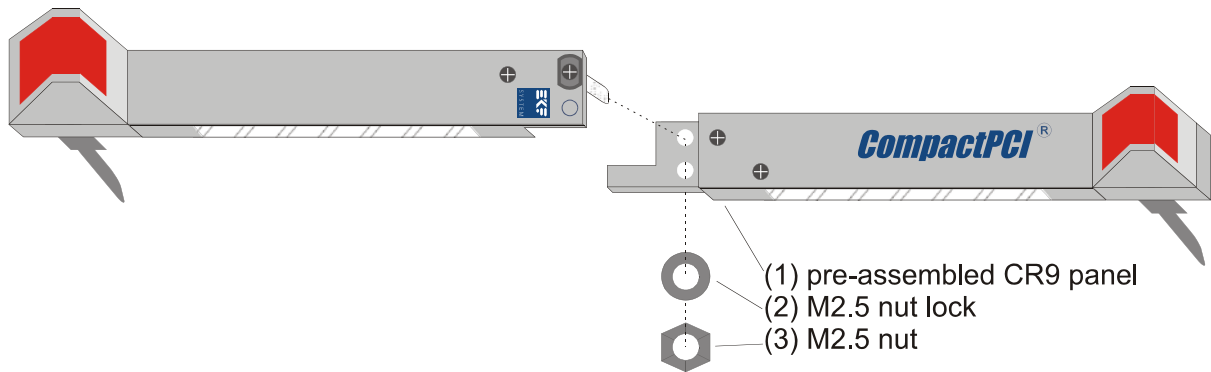
6U racks are appropriate for both single and double sized Eurocards, thus allowing mixed arrangements of boards. The CR9-ADAPT is a mechanical adapter, extending the original boards front panel from 3U to 6U height in a simple and robust manner.

The CR9-ADAPT kit is suitable for EKF *CompactPCI* boards, and also for several competitors products. It is available as 4HP (width 20.32mm) or 8HP (40.64mm) solution.

The CR9-ADAPT is a good looking, absolutely professional solution for using 3U *CompactPCI* boards in an 6U environment, with users needs for both mechanic stress as well as EMC criteria in mind.



CR9-ADAPT



Ordering Information

Order No.	Short Information
CR9-5-ADAPT	<i>CompactPCI</i> front panel adapter 4HP (mechanical kit), extends 3U front panels to 6U, suitable for <i>CompactPCI</i> single-size Eurocards with Schroff style panel and Elma handle
CR9-6-ADAPT	<i>CompactPCI</i> front panel adapter 8HP (mechanical kit), extends 3U front panels to 6U, suitable for <i>CompactPCI</i> single-size Eurocards with Schroff style panel and Elma handle

EKF Elektronik GmbH
 Philipp-Reis-Str. 4
 59065 HAMM
 Germany



Fax. +49 (0)2381/6890-90
 Tel. +49 (0)2381/6890-0
 Internet www.ekf.de
 E-Mail info@ekf.de