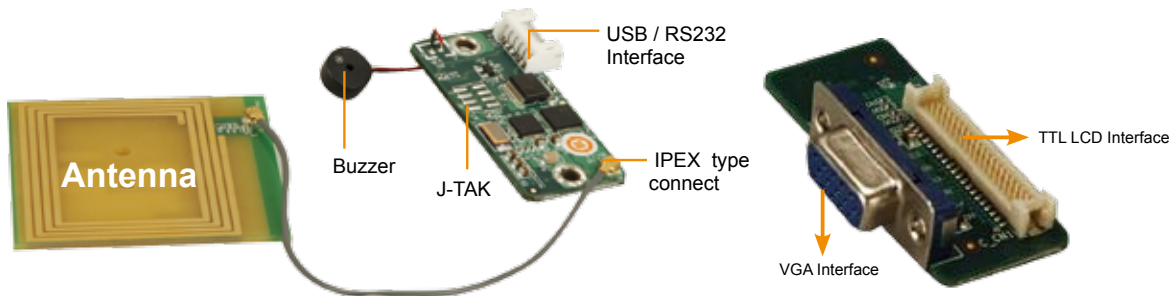


IRFR-100 / KAMIO-VGA01

- COTS (Commercial off-the-shelf) 13.56 MHz industrial RFID reader module (IRFR) with support for ISO-15693
- COTS (Commercial off-the-shelf) LCD TTL interface to analog VGA output converter module



Specifications

IRFR-100

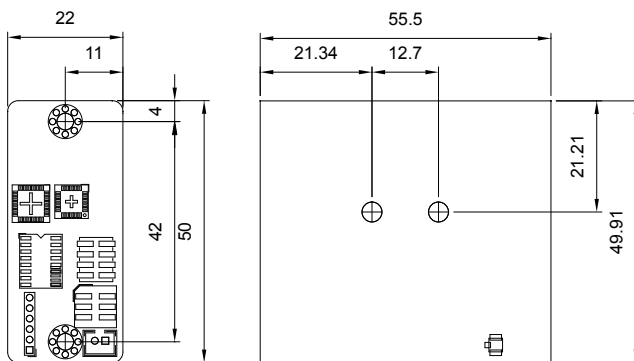
- HF reader module support ISO-15693 for Vicinity card applications
- RF data rate: 6.62kbps for ISO-15693
- Interface: UART or USB
- Serial communication to main system speed up to 115.2Kbps
- OS support: Windows CE 5.0
- Operating distance: 10 cm
- RF frequency: 13.56 MHz
- Antenna: IPEX type
- Operating Voltage: 5 V
- Consumption current: < 150 mA
- Operating Temperature: 0°C~60°C
- KAMIO Integration supports KAMIO-CB01A / CB03 / CB04 / CB05

KAMIO-VGA01

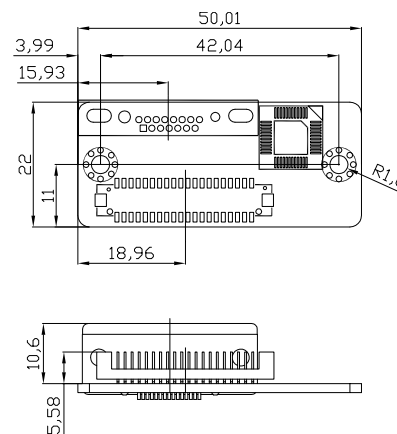
- LCD TTL interface to analog VGA output converter module
- Operating Voltage: 3.3 V
- Operating Temperature: 0°C~70°C
- Connector type: TTL 40 pin interface
- Consumption current: < 100 mA
- High Speed DAC: ADV 7123
- KAMIO Integration supports KAMIO series carry boards

Dimensions (Unit : mm)

IRFR-100



KAMIO-VGA01



Ordering Information

Part No.	Description
IRFR-100-R10	13.56 MHz industrial RFID reader module (IRFR) with support for ISO-15693
KAMIO-VGA01-R10	LCD TTL interface to analog VGA output converter module

Packing List

IRFR-100	1 x IRFR-100 1 x USB / RS-232 Y cable 1 x IPEX type antenna module 1 x Utility CD includes SDK, utilities, and technical documentation	KAMIO-VGA	1 x KAMIO-VGA01 module card 1 x LCD cable for TTL interface
----------	-------------------------------------------------------------------------------------------------------------------------------------------------	-----------	----------------------------------------------------------------

1
Application
Server
Platform2
Single
Board
Computer3
IBX Series
POS PC4
AFOLUX
POS
Panel PC5
Video
Capture
Card6
KAMIO
RISC7
IOVU
Open HMI8
VITO
Universal
Controller9
DINO
BLADE10
LCD
Product
Series11
Embedded
System12
Industrial
Computer
Chassis13
Power
Supply14
Peripherals