

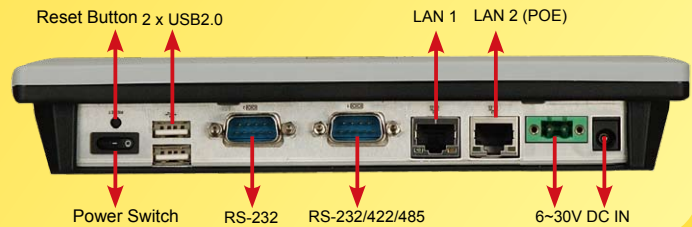
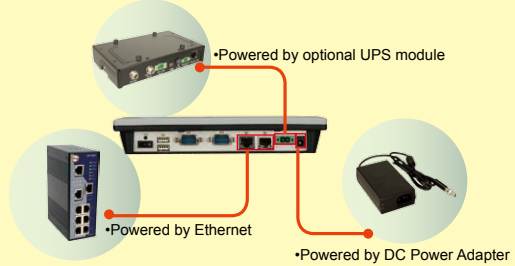
IOVU-751R MIPS-based Panel PC



Power over Ethernet



Power Input Options



Features:

- 7" TFT WVGA LCD with resistive touch screen
- RMI Alchemy AU1250 500MHz processor and 256MB DDR2 SDRAM
- Default 1GB secure digital card for OS and user data/programs
- Power over Ethernet (POE) function is compliant with 802.3af standard
- Hardware decode MPEG1/2/4, and WMV9
- Built-in 1.5W speakers
- IP64 compliant front panel
- Fan-less design for rigorous environments
- Preinstalled Windows® CE5.0 or ARM-Linux 2.6.18 operating system.
- Windows® CE5.0 or ARM-Linux SDK for user application software development

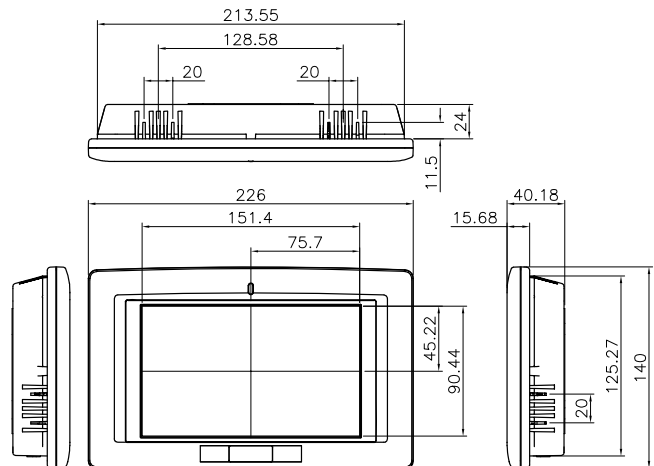
Packing List

- 1 x IOVU-751R
- 1 x Utility CD includes application tools, SDK, and technical document.
- 1 x Null modem cable
- 1 x Touch pen

Ordering Information

Part No.	Description
IOVU-751R-CE5/-R10	7", WVGA fan-less touch panel PC with RMI Alchemy AU1250 CPU, 256MB DDR2 SDRAM, LAN supports POE function and built-in Windows® CE5.0 Operating System
IOVU-751R-UX/-R10	7", WVGA fan-less touch panel PC with RMI Alchemy AU1250 CPU, 256MB DDR2 SDRAM, LAN supports POE function and built-in ARM-Linux 2.6.18 Operating System

Dimensions (Unit : mm)



Options

Part No.	Description
ALFPK-08	Panel mount kit
AFLWK-07	VESA 75 wall mount kit
ARM-11-RS	LCD Monitor/PPC Arm kit loading capacity from 3kg~7kg
STAND-A08-RS	LCD Monitor/PPC Stand kit for VESA 75 and support up to 5 Kg
VSTAND-A07	LCD Monitor/PPC STAND V type for VESA 75, 0~90 degree adjustable hinge and support up to 2.5 Kg
AFLP-12BMSR-U	USB Magnetic Card Reader
AFLP-BRW01-U / AFLPBRB01-U	USB Barcode Reader (White / Black)
AFLP-CDB01 / AFLP-CDW01	VFD Customer Display (Green) 5 x 7 dot matrix (Black / White)
63000-FSP0361 AD101C-RS	POWER ADAPTER, 90V-264V input and 12V/36W output; PLUG ϕ 2.5/ ϕ 5.5/no lock
63000-PSP0601 AD101CT60-RS	12V DC 60W power adapter with bare wire, 90~264V AC input