

ALOHA-W10A / ALOHA-12A Display Console Solutions

Wide 10.2"/12.1" All-in-One Display Console

The ALOHA all-in-one display console is the world's first 7-in-1 display console, with a 12.1" touch control unit that allows access to single computer via the VGA/DVI/USB KVMA (keyboard, video, mouse, audio) console. ALOHA-12A helps you save hundreds of dollars in equipment, space, and power costs. There is no need to have additional peripherals for the system.



Embedded System
IBX-530-ATOM



Book Size Embedded System
IBX-700-9103



Industrial Universal Controller
VITO-2100



**Easily to Connect
with Systems**

Features

- Portable Compact Design
- 7-in-1 Display Console
 - (1) 10.4" Widescreen (16:9) TFT LCD /12.1" TFT LCD with resistive touch screen (Touch Optional)
 - (2) 87-keys Keyboard and TouchPad
 - (3) 300K pixel camera allows to take photos and live video communication
 - (4) Digital microphone
 - (5) Embedded two 1.5W speakers can support alarm warning notice or audio application
 - (6) 5 USB ports built in allow many USB devices to be connected
 - (7) Earphone jack for private listening
- 3 Easy Cable Installation
 - (1) USB on a single cable supports 7 functions
 - (2) Analog VGA and digital DVI interface support most of general system
 - (3) Lockable power adapter
- Convenient OSD settings by cap-sensor
- Hot Pluggable- Add or remove computer without having to power down the switch
- Standard support of English version keyboard Optional Japanese, German, French, Italian version keyboard support.

Ruggedized Die-casting base !
Two 1.5W Integrated Speakers



• Touchpad



• Multiple USB Connectivity

The ALOHA-12A could be a 5-port USB 2.0 hub which optimizes the use of the single USB port by splitting it into five additional USB 2.0 ports (two on the front, one on the side and two on the rear) for multiple USB devices.



• Camera with Digital Microphone

300K pixel Camera up to
VGA resolution (640 x 480)

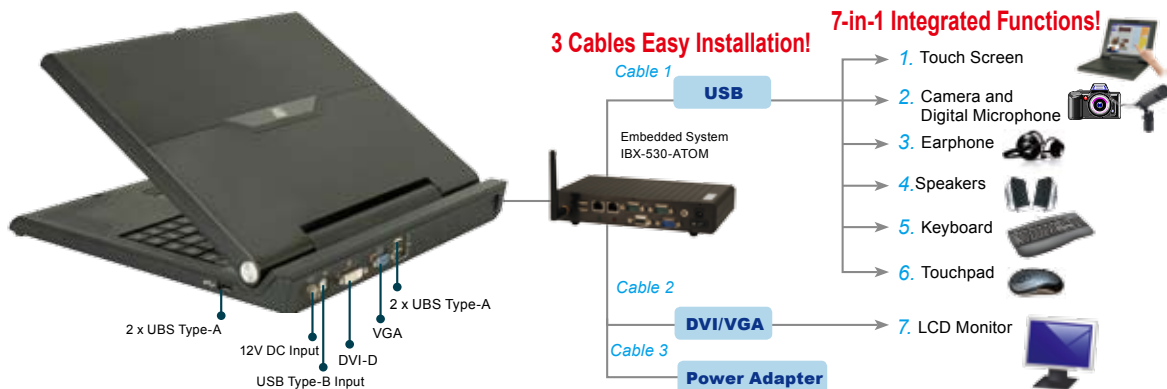


• Convenient on-screen display (OSD)
menus controlled by cap-sensor



Diagram

ALOHA-12A help you save hundreds of dollars in equipment, space, and power costs. There is no needs to have additional peripherals for the system.





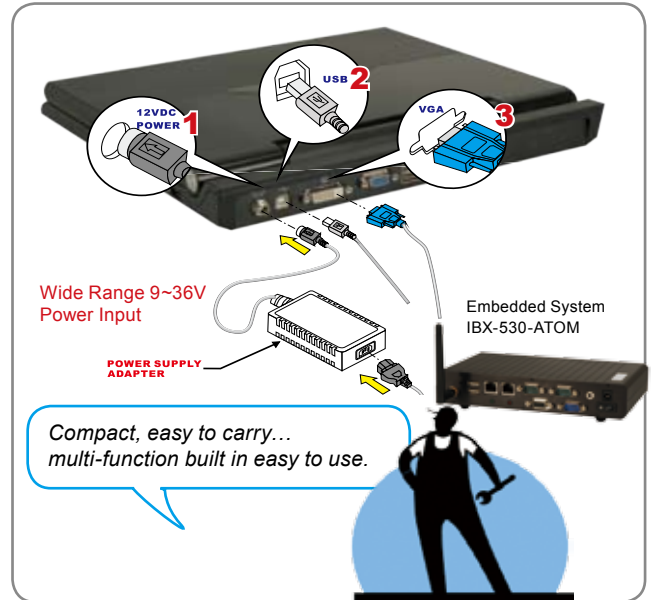
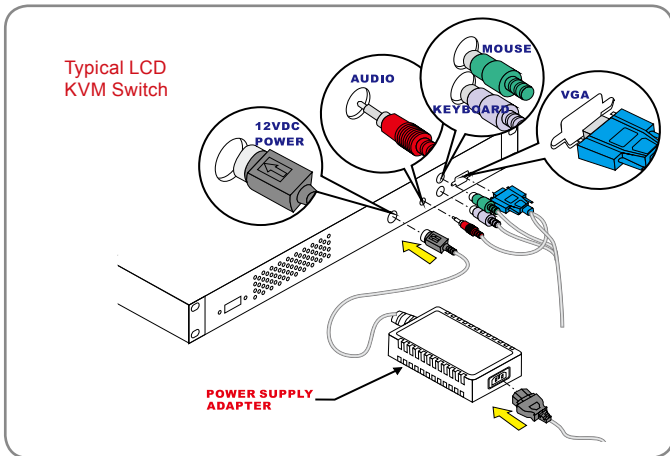
Application



Repair Maintenance Tool

General maintenance and repair workers often carry out several different tasks in a single day, at any number of locations. The compact all-in-one console allows the workers to carry it comfortably, to do the system maintenance, especially to those embedded systems which are difficult to dismantle.

Easy wiring via VGA / DVI and USB cables decreases the installation time!



Install Anywhere with Adjustable FLAT VESA ARM!

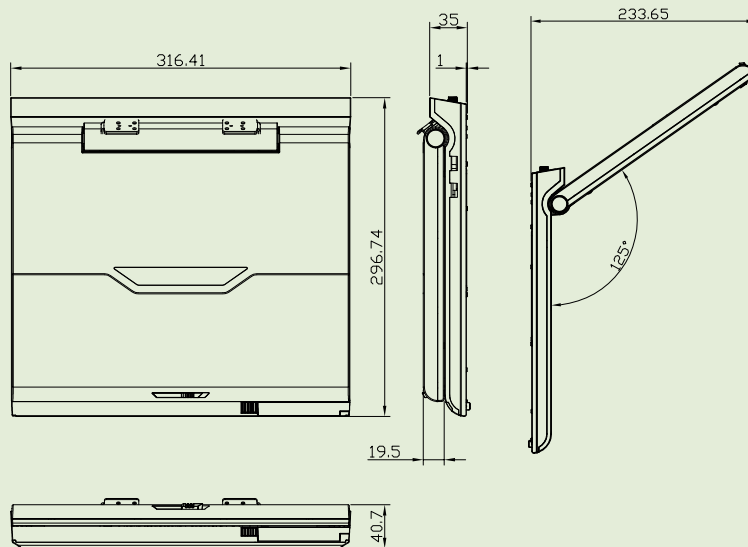


VESA 75/100

Robust Die-casting Base



Dimensions





Specifications

2009.Q1 Release

Model		ALOHA-W10A	ALOHA-12A
Display	LCD Size	10.2"	12.1"
	Resolution	1024 x 600 (WSVGA)	1024 x 768 (XGA)
	Brightness (cd/m ²)	400	400
	Contrast Ratio	400 : 1	500: 1
	LCD Colors	262 k	262 k
	Viewing Angle (H-V)	140°/110°	160°/160°
Connectors	Rear	1 x USB Type-B Input	
		1 x DVI-D	
		1 x VGA	
	Front Panel	2 x USB Type-A	
		1 x Microphone jack	
		1 x Speaker jack	
Side	2 x USB type-A		
	1 x USB type-A		
Touch Panel		N/A	Optional
Camera and Microphone		300K pixel with digital microphone	
Speakers		AMP 2W +AMP 2W	AMP 1.5W +AMP 1.5W
OSD Control		On-screen display (OSD) controlled by cap-sensor	
Power Input		9V~36V	
Environment	Operating Temperature	0~45°C	
	Humidity	5%~95%RH	
	Housing	Metal	
Physical Properties	Weight	2.5 kg	3.16 kg
	Dimensions (L x W x H) (mm)	280.45 x 241.9 x 39	316.41 x 296.74 x 40.7

Ordering Information

Model	Description
Wide 10.2"	ALOHA-10A- [L] -R10 10.2" All-in-one display console, black color
12.1" Touch panel	ALOHA-12A- [L] /T-R-R10 12.1" Advanced All-in-one touch display console, black color
	ALOHA-12A- [L] -R10 12.1" Advanced All-in-one display console, black color

[L] Language Code-

I :Italian F :French T :Traditional Chinese E :English
S :Spanish J :Japanese R :Russian G :German

Packing List

Item	P/N	Description
USB cable	32000-091700-RS	USB A type male and USB B type male (length: 1.8M)
VGA cable	32000-036200-RS	D-SUB 15P male (length: 1.8M)
Power adapter	63000-FSP0401ADF03A821-RS	90V~264V;12V;40W (length: 1.5M)
Power cord	32000-000002-RS	European power cord (length: 183cm)
Touch pen	XTR104-0002-RS	
User's manual and touch driver CD-ROM		

Options

P/N	Description
DVI	32000-115700-RS DVI cable (length: 1.8M)
	32000-115800-RS DVI cable (length: 5M)
	32000-115900-RS DVI cable (length: 10M)
VGA	32000-036200-RS VGA cable (length: 1.8M)
	32000-077300-RS VGA cable (length: 5M)
	VGA cable (length:10M)
USB	32000-091700-RS USB A type male and USB B type male (length: 1.8M)
	32000-077400-RS USB A type male and USB B type male (length: 5M)
	USB A type male and USB B type male (length: 10M)