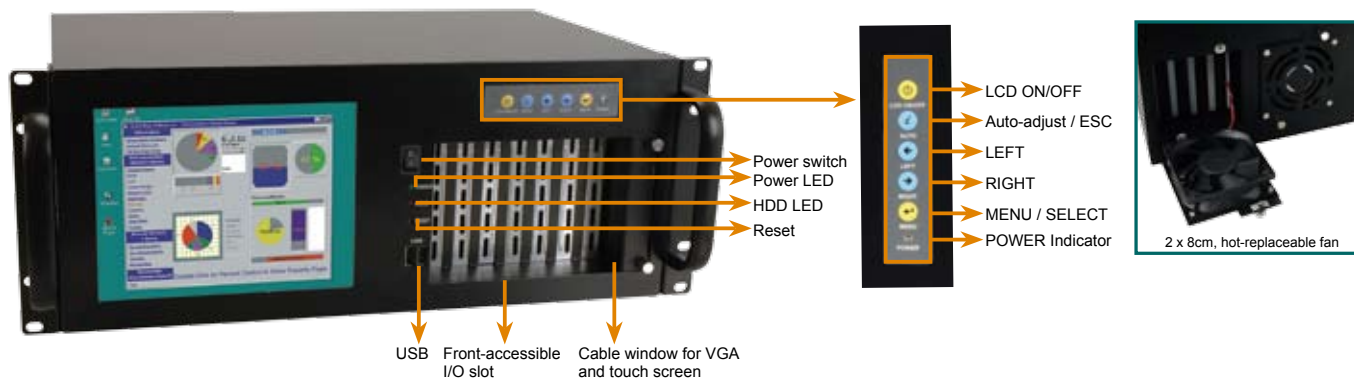


# RPC-6106 / 6108

6.5"/8.4" TFT LCD 4U 7-slot Half-size Workstation

1  
Automation

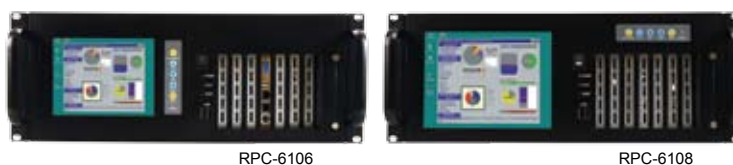
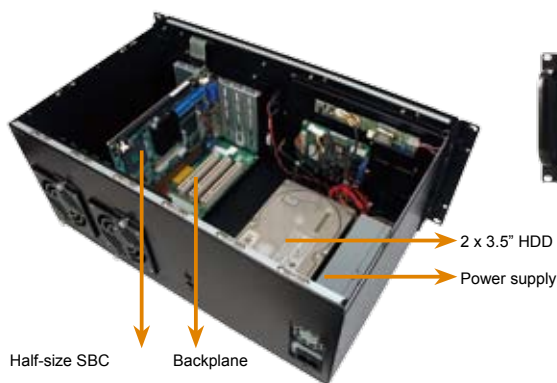


2  
Point of Service

3  
Digital Signage

4  
RISC-based Solutions

5  
Medical Solutions



## Features

- 6.5"/8.4" TFT LCD with full functional OSD in 4U chassis
- Compatible with ISA, PCISA, PICO series half-size SBC
- Front-accessible I/O slot design
- 2 x 3.5" HDD capacity, 2 x front-accessible USB port
- Models with touch screen available

## Backplane Options

Both RPC-6106/6018 support the backplane listed below:

Model No.	SBC Type	PCI	ISA	PCIe			PSU Connector
				x1	x4	x16	
BP-7S-RS-R30	ISA	0	7	0	0	0	AT
IP-7S-RS-R30	PCISA	4	2	0	0	0	AT
IP-7SA-RS-R30	PCISA	4	2	0	0	0	ATX
HPE-7S1	PCI/PCIe	4	0	2	0	0	ATX

## Power Supply Options

RPC- 6106/6108 supports 1U height PSU.

Type	Model No.	Watt
AT	ACE-916AP-RS	150W
	ACE-816AP-RS	150W
ATX	ACE-4518AP-RS	180W
	ACE-4525AP-RS	250W

For other models of IEI 1U power supply, please visit [www.ieiworld.com](http://www.ieiworld.com)

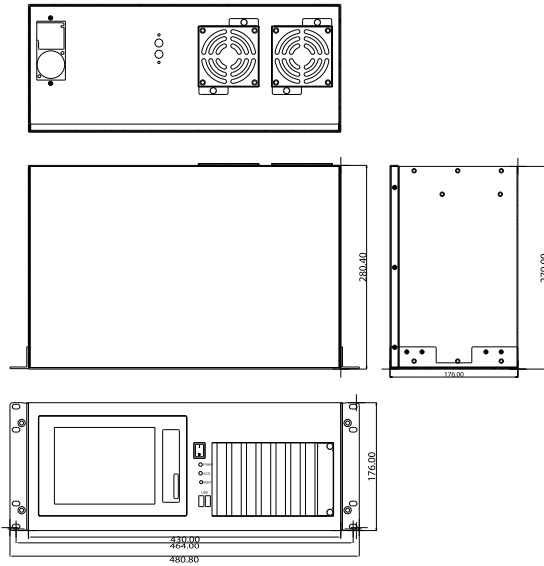
## Specifications

Model	RPC-6106	RPC-6108
SBC Type	Half-size CPU card	Half-size CPU card
Chassis Construction	Heavy duty metal	Heavy duty metal
Max. slots	7 slots	7 slots
Drive Bay	3.5" HDD	2
I/O port	USB	2
	HDD LED	1
	Power LED	1
	Reset Switch	1
Indicators	Power, HDD	Power, HDD
Cooling Fan	Rear	2 x 8cm
	Power	Yes
Buttons	Reset	Yes
	OSD	Yes
	OSD	Yes
Operating Shock	10G acceleration peak to peak (11ms)	10G acceleration peak to peak (11ms)
Operating Vibration	5~17Hz 0.1" double amplitude displacement 17~640 Hz 1.5G acceleration peak to peak	5~17Hz 0.1" double amplitude displacement 17~640 Hz 1.5G acceleration peak to peak
Operating Temperature	0 ~ 50°C	0 ~ 50°C
Operating Humidity	5 ~ 95% @ 60°C, non-condensing	5 ~ 95% @ 60°C, non-condensing
Weight (N.W./G.W.)	9.2Kg/13Kg	10Kg/14.3Kg
Color	Black	Black
Dimension in mm (DxWxH)	280x431x176	280x431x176
<b>LCD Spec.</b>		
LCD Size	6.5"	8.4"
Input interface	Analog VGA	Analog VGA
Max Resolution	640 x 480	800 x 600
Brightness (cd/m <sup>2</sup> )	400	220 (400)
Contrast	550:1	500:1 (400:1)
LCD Color	262K	262K
Pixel Pitch (mm)	0.207	0.213
Touch Screen Interface*	4-wire resistive type with RS-232 interface	4-wire resistive type with RS-232 interface

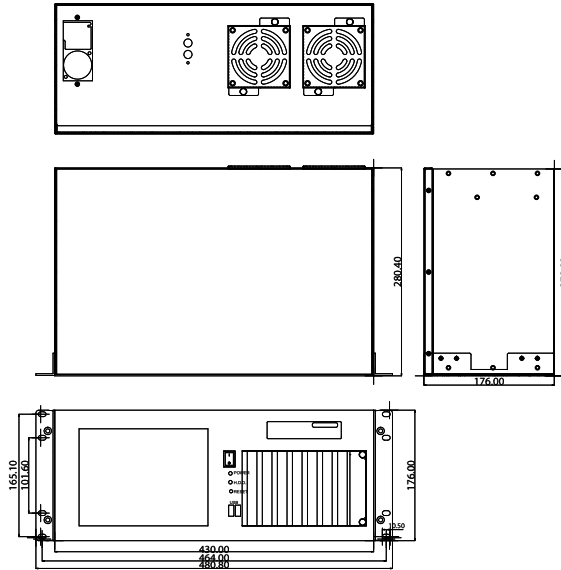
\* For T-R model with touch screen option only

## Dimensions

### RPC-6106 Dimensions

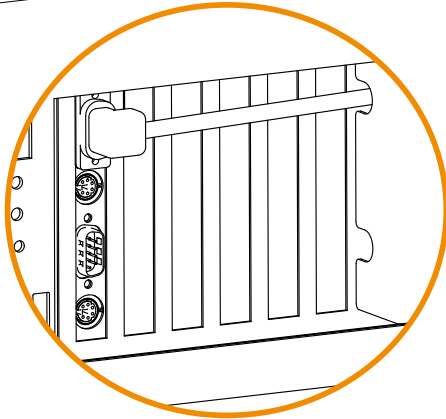
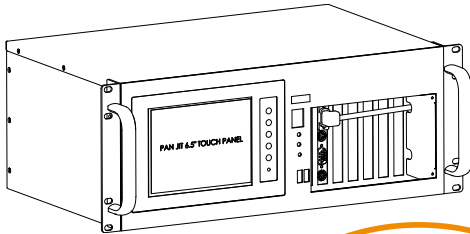


### RPC-6108 Dimensions



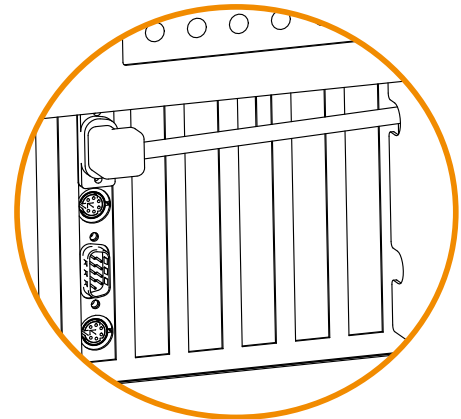
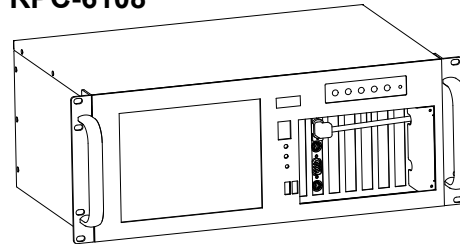
### Analog VGA interface supports all CPU boards

#### RPC-6106



### Analog VGA interface supports all CPU boards

#### RPC-6108



## Ordering Information

Part NO	Description
RPC-6106B/ACE-4525AP/T-R	4U Half-size Front side 7-Slot Rackmount Chassis with 6.5" 400cd/m <sup>2</sup> VGA LCD and Touch screen, w/ACE-4525AP-RS PSU, Black, RoHS
RPC-6108B/ACE-4525AP/T-R	4U Half-size Front side 7-Slot Rackmount Chassis with 8.4" 220 cd/m <sup>2</sup> SVGA LCD and Touch screen, w/ACE-4525AP-RS PSU, Black, RoHS
RPC-6108BH/ACE-4525AP/T-R	4U Half-size Front side 7-Slot Rackmount Chassis with 8.4" 400 cd/m <sup>2</sup> SVGA LCD and Touch screen, w/ACE-4525AP-RS PSU, Black, RoHS

1  
Automation

2  
Point of Service

3  
Digital Signage

4  
RISC-based Solutions

5  
Medical Solutions