

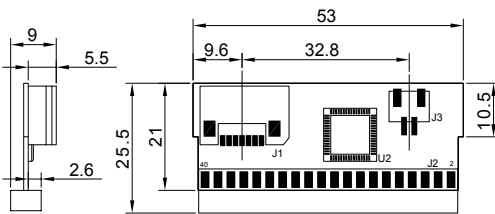
ITS-40 3.5" IDE to SATA Module



Specifications

- ◆ 3.5" IDE to SATA Module
- ◆ Converts standard SATA to IDE interface
- ◆ Chipset: JMicron JM20330
- ◆ Compliance to Serial ATA Generation 1
- ◆ ATA/ATAPI PIO mode 0 to 4
- ◆ ATA/ATAPI Ultra DMA transfer rate up to 133MB/s
- ◆ Dimension: 53(L) mm x 25.5(W) mm

Dimensions (unit: mm)



Packing List

| | |
|--|--|
| 1 x ITS-40 daughter Card | 1 X Power cable (P/N: 32100-173300-RS) |
| 1 X SATA Data Cable (P/N: 32000-062800-RS) | 1 x QIG (Quick Installation Guide) |

Ordering Information

| Part No. | Description |
|------------|-------------------------------|
| ITS-40-R10 | 3.5" IDE to SATA Module, RoHS |

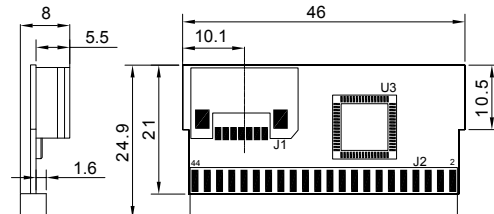
ITS-44 2.5" IDE to SATA Module



Specifications

- ◆ 2.5" IDE to SATA Module
- ◆ Converts standard SATA to IDE interface
- ◆ Chipset: JMicron JM20330
- ◆ Compliance to Serial ATA Generation 1
- ◆ ATA/ATAPI PIO mode 0 to 4
- ◆ ATA/ATAPI Ultra DMA transfer rate up to 133MB/s
- ◆ Dimensions: 46(L) mm x 24.9(W) mm

Dimensions (unit: mm)



Packing List

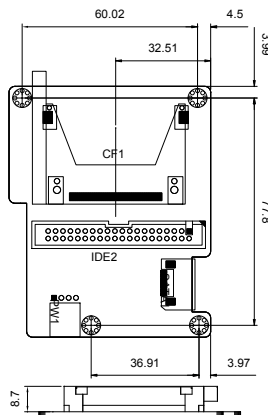
| |
|--|
| 1 x ITS-44 daughter card |
| 1 X SATA data cable (P/N: 32000-062800-RS) |
| 1 x QIG (Quick Installation Guide) |

Ordering Information

| Part No. | Description |
|------------|-------------------------------|
| ITS-44-R10 | 2.5" IDE to SATA Module, RoHS |

SATA to IDE/CF Type II Carry Board

SATA to IDE/CF converter board



SAIDE-KIT01-R10

SATA to IDE/CF converter board

Features

1. CF Type II Socket
2. 40-pin IDE connector (Master mode)
3. 4-pin 5V input connector
4. Power/5V/HDD LED indicator
5. Support 1x IDE device or 1x CF



32100-064401-RS

Packing List

| | | |
|---------------------|---------------------------------------|---------|
| 1 x SAIDE-KIT01-R10 | 1 x Power Cable (P/N:32100-171800-RS) | 1 x QIG |
|---------------------|---------------------------------------|---------|

Ordering Information

| | |
|-----------------|---|
| SAIDE-KIT01-R10 | SATA to 40-pin IDE/CF socket converter board with bracket |
| 32000-062800-RS | SATA cable |
| 32100-088600-RS | SATA power cable |
| 32100-064401-RS | Power cable |

IDE/ CF Type II Carry Board



CF-KIT04-R10

IDE to CFII Carry board with master/slave mode selection

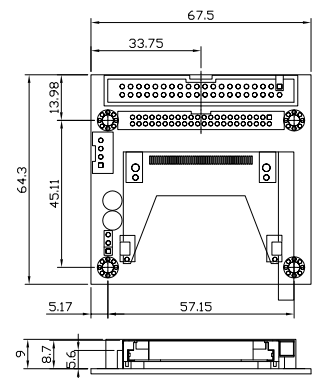
Features

1. CF Type II socket with Master / Slave mode selection
2. 4-pin power connector
3. Power/ HDD signal LED

IEI CF Solution



iCF1000 Industrial standard grade iCF1000 Wide Temp. grade



1
Industrial
Computing
Solutions

2
Embedded
Computing
Solutions

3
RISC-Based
Embedded
Solutions

4
Industrial
Data
Collector/
Server
Solutions

5
Video
Capture
Solutions

6
I/O
Communication
Solutions

7
Panel
Solutions

8
Power Supply/
Network
Communication/
Peripherals