

IPS-3082GC

➤ Industrial 10-port managed PoE Ethernet switch with 8x10/100Base-T(X) P.S.E. and 2xGigabit combo ports, SFP socket

Features

- World's fastest Redundant Ethernet Ring : **O-Ring** (recovery time < 10ms over 250 units of connection)
- **Open-Ring** support the other vendor's ring technology in open architecture
- **O-RSTP** support applications with complex topology
- 8 ports P.S.E. fully compliant with IEEE802.3af standard, provide up to 15.4 Watts per port
- STP/RSTP/MSTP supported
- Provide **PoE power on delay** function, users can define delay time for PoE power supply
- Support **PTP Client** (Precision Time Protocol) clock synchronization
- IGMP v2/v3 (IGMP snooping support) for filtering multicast traffic
- Port Trunking for convenience of bandwidth management
- SNMP v1/v2c/v3 support for secured network management
- RMON for traffic monitoring
- Supports DDM (Digital Diagnostic Monitoring) function
- Event notification through Syslog, Email, SNMP trap, and Relay Output
- Windows utility (**Open-Vision**) support centralized management and configurable by Web-based ,Telnet, Console, CLI
- Support two Gigabit combo ports
- Rigid IP-30 housing design
- DIN-Rail and wall mounting enabled
- Support LLDP Protocol

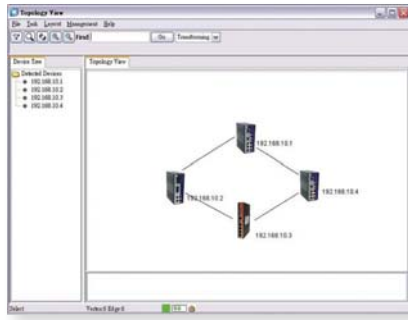


Introduction

IPS-3082GC is a managed Redundant Ring Ethernet switch with 8x10/100Base-T(X) ports with PoE (P.S.E.) function and 2xGigabit combo ports. With completely support of Ethernet redundancy protocols, O-Ring (recovery time < 10ms over 250 units of connection), Open-Ring, O-RSTP and MSTP/RSTP/STP (IEEE 802.1s/w/D) can protect your mission-critical applications from network interruptions or temporary malfunctions with its fast recovery technology. IPS-3082GC also supports Power over Ethernet, a system to transmit electrical power, along with data, to remote devices over standard twisted-pair cable in an Ethernet network. Each IPS-3082GC switch has 8X10/100Base-T(X) P.S.E. (Power Sourcing Equipment) ports. P.S.E. is a device (switch or hub for instance) that will provide power in a PoE setup. IPS-3082GC supports new a DDM (Digital Diagnostic Monitoring) function, which can monitor instantly the status of electronic voltage, current and temperature. All functions of IPS-3082GC can be managed centralized by a powerful windows utility — Open-Vision. In addition, the wide operating temperature, range from -40 to 70°C, can satisfy most of operating environment. Therefore, the switch is one of the most reliable choices for highly-managed and Fiber Ethernet application with PoE function.

Open-Vision

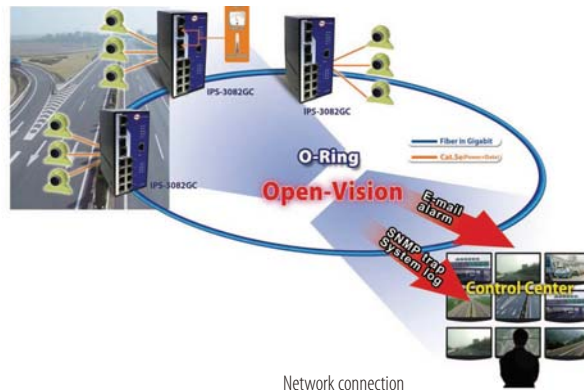
ORing's switches are intelligent switches. Being different from other traditional redundant switches, ORing provides a set of Windows utility (**Open-Vision**) for users to manage and monitor all of industrial Ethernet switches on the industrial network.



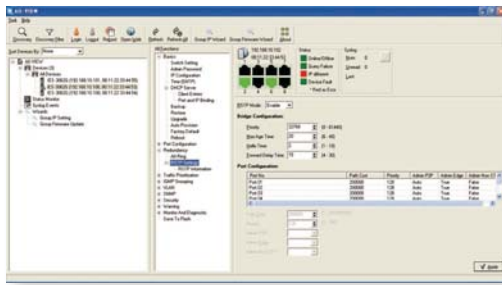
Topology View



DDM function

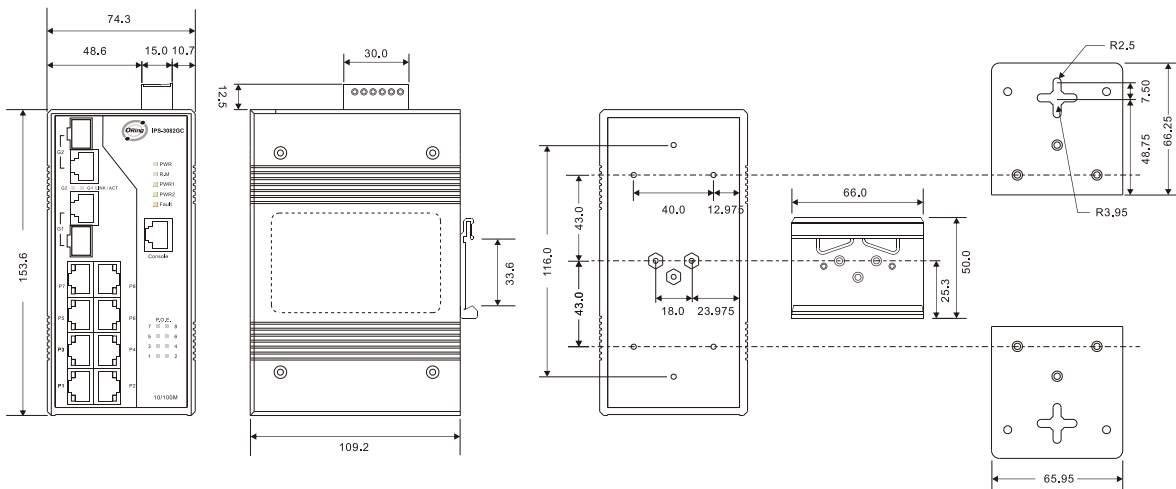


Network connection



Monitoring and Configuration interface

Dimension



(Unit=mm)

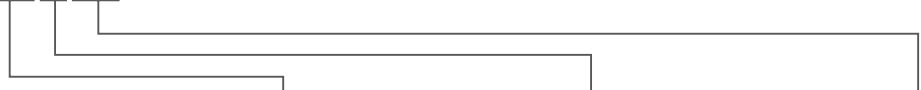
Specifications

ORing Switch Model	IPS-3082GC
Physical Ports	
10/100Base-T(X) Ports in RJ45 Auto MDI/MDIX with P.S.E.	8
Gigabit Combo Ports with 10/100/1000Base-T(X) and 100/1000Base-X SFP port	2
Technology	
Ethernet Standards	IEEE 802.3 for 10Base-T IEEE 802.3u for 100Base-T(X) and 100Base-FX IEEE 802.3z for 1000Base-X IEEE 802.3ab for 1000Base-T(X) IEEE 802.3x for Flow control IEEE 802.3ad for LACP (Link Aggregation Control Protocol) IEEE 802.1D for STP (Spanning Tree Protocol) IEEE 802.1p for COS (Class of Service) IEEE 802.1Q for VLAN Tagging IEEE 802.1w for RSTP (Rapid Spanning Tree Protocol) IEEE 802.1s for MSTP (Multiple Spanning Tree Protocol) IEEE 802.1x for Authentication IEEE 802.1AB for LLDP (Link Layer Discovery Protocol) IEEE 802.3af PoE specification (up to 15.4 Watts per port for P.S.E.)
MAC Table	8192 MAC addresses
Priority Queues	4
Processing	Store-and-Forward
Switch Properties	Switching latency: 7 us Switching bandwidth: 5.6Gbps Max. Number of Available VLANs: 4096 IGMP multicast groups: 1024 Port rate limiting: User Define
Security Features	Enable/disable ports, MAC based port security Port based network access control (802.1x) VLAN (802.1Q) to segregate and secure network traffic Supports Q-in-Q VLAN for performance & security to expand the VLAN space Radius centralized password management SNMP v1/v2c/v3 encrypted authentication and access security
Software Features	STP/RSTP/MSTP (IEEE 802.1D/w/s) Redundant Ring (O-Ring) with recovery time less than 10ms over 250 units TOS/Diffserv supported Quality of Service (802.1p) for real-time traffic VLAN (802.1Q) with VLAN tagging and GVRP supported IGMP v2/v3 (support IGMP snooping) for multicast filtering Port configuration, status, statistics, monitoring, security SNTP for synchronizing of clocks over network Support PTP Client (Precision Time Protocol) clock synchronization DHCP Server / Client support Port Trunk support MVR (Multicast VLAN Registration) support
Network Redundancy	O-Ring Open-Ring O-RSTP STP RSTP MSTP
Warning / Monitoring System	Relay output for fault event alarming Syslog server / client to record and view events Include SMTP for event warning notification via email Event selection support
DDM Function	Voltage / Current / Temperature
RS-232 Serial Console Port	RS-232 in RJ45 connector with console cable. 9600bps, 8, N, 1
LED Indicators	
Power /PoE Indicator	Green : Power LED x 3, Green : PoE LED x 8
R.M. Indicator	Green : Indicate system operated in O-Ring mode
Fault Indicator	Amber : Indicate unexpected event occurred

10/100Base-T(X) RJ45 Port Indicator	Green for port Link/Act. Amber for Duplex/Collision
10/100/1000Base-T(X) RJ45 Port Indicator	Green for port Link/Act. Amber for 100Mbps indicator
100/1000Base-X / Fiber Port Indicator	Green for port Link/Act.
Fault contact	
Relay	Relay output to carry capacity of 1A at 24VDC
Power	
Redundant Input Power	Dual DC inputs. 48VDC on 6-pin terminal block
Power Consumption (Typ.)	9 Watts (Power consumption of P.S.E. not included)
Overload Current Protection	Present
Reverse Polarity Protection	Not Presented
Physical Characteristic	
Enclosure	IP-30
Dimension (W x D x H)	74.3(W)x109.2(D)x153.6(H) mm (2.93 x 4.3 x 6.05 inch.)
Weight (g)	1100 g
Environmental	
Storage Temperature	-40 to 85°C (-40 to 185°F)
Operating Temperature	-40 to 70°C (-40 to 158°F)
Operating Humidity	5% to 95% Non-condensing
Regulatory approvals	
EMI	FCC Part 15, CISPR (EN55022) class A
EMS	EN61000-4-2 (ESD), EN61000-4-3 (RS), EN61000-4-4 (EFT), EN61000-4-5 (Surge), EN61000-4-6 (CS), EN61000-4-8, EN61000-4-11
Shock	IEC60068-2-27
Free Fall	IEC60068-2-32
Vibration	IEC60068-2-6
Safety	EN60950-1
Warranty	5 years

Ordering Information

IPS-3 **AA** **B** **CC**



Code Definition	10/100Base-T(X) Port Number	Additional Port Number	Additional Port Type
Option	- 8 : 8 ports	- 2 : 2 ports	- GC : Gigabit combo with SFP

Available Model	Model Name	Description
	IPS-3082GC	Industrial 10-port managed PoE Ethernet Switch with 8x10/100Base-T(X) P.S.E. and 2xGigabit combo ports, SFP socket

Packing List

- IPS-3082GC
- ORing Tool CD
- Quick Installation Guide
- DIN-Rail Kit
- Wall-mount Kit
- Console Cable

Optional Accessories (Can be purchased separately) P7-2

- Open-Vision M500, Powerful Network Management Windows Utility Suit, 500 IP device
- SFP100 series, 100Mbps SFP optical transceiver
- SFP1G series, 1Gbps SFP optical transceiver
- DR-75-48, 75W DIN-Rail power supply
- DR-120-48, 120W DIN-Rail power supply