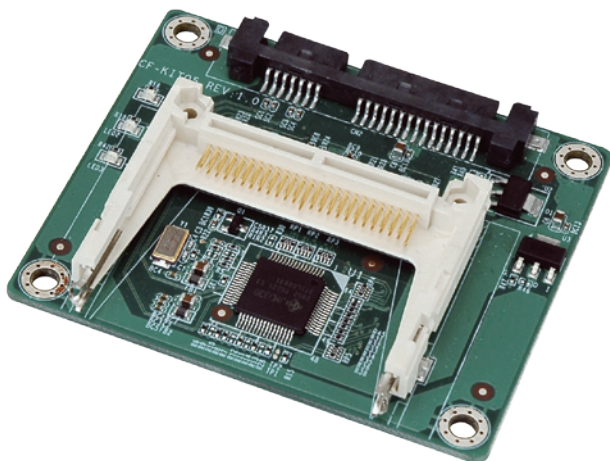


# SATA to CF Type II Carry Board

SATA to CF converter board



## SACF-KIT01-R10

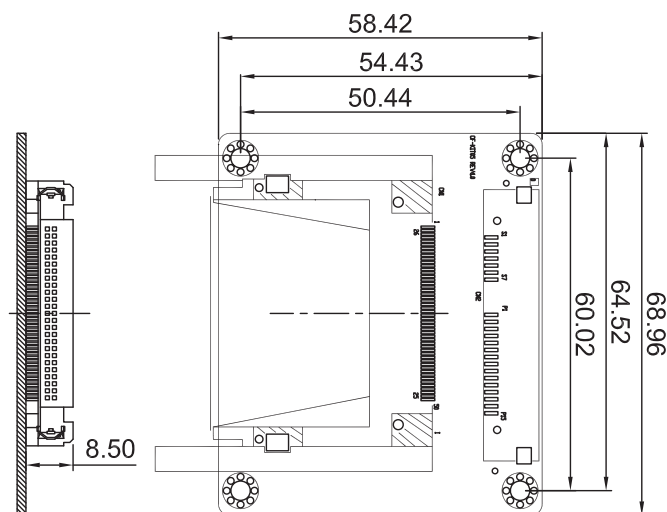
SATA to CF converter board

### Features

1. CF Type II Socket
2. 50-pin CF Type II connector



32801-000100-100-RS



### Ordering Information

Part No.	Description
SACF-KIT01-R10	SATA to 50-pin CF socket converter board

### Packing List

1 x SACF-KIT01-R10
1 x SATA with power cable kit (P/N: 32801-000100-100-RS)
1 x QIG

# PCIe 16X SDVO interface VGA/ DVI graphic card

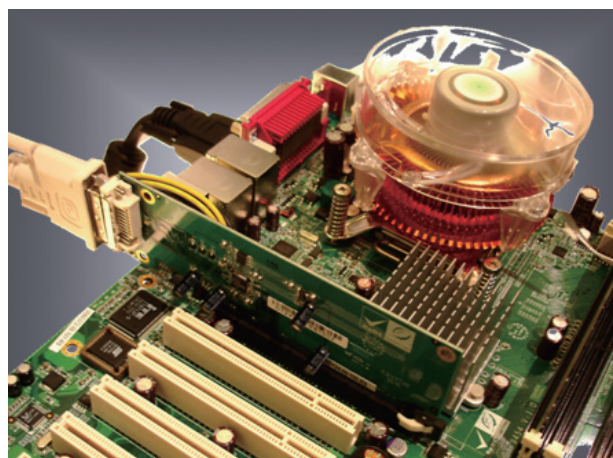
IEI only for Intel® 915/945/Q965 dual display solution by PCIe 16X interface SDVO add on card.



SDVO-100DVI-R10



SDVO-100VGA-R10



The most cost effective dual display solution for IEI boards with customized BIOS.

### Ordering Information

Part No.	Description
SDVO-100DVI-R10	DVI output, PCIe x16 add-on card by SDVO interface, Max. resolution 1600x1200
SDVO-100VGA-R10	VGA output, PCIe x16, add-on card by SDVO interface, Max. resolution 1600x1200
32100-154400-RS	SDVO I <sup>2</sup> C bus wire cable (Connector pitch 2.0mm to 2.0mm) (SBC to PE & PXE series backplane only)
32100-154401-RS	SDVO I <sup>2</sup> C bus wire cable (Connector pitch 2.54mm to 2.0mm) (SBC to PE & PXE series backplane only)

### IEI SDVO Cards Support List

PCIMG 1.3 Board	Model	PCIE-Q350 / PCIE-9652 / PCIE-9650 / PCIE-9450 / PCIE-9452 / PCIE-9152
Embedded Board	Model	IMBA-XQ354 / IMBA-X9654 / IMBA-9654 / IMBA-9454 / IMBA-9454ISA / IMB-Q354 / IMB-9454 / IMB-9452 / IMB-9154 / KINO-9654 / KINO-9454 / KINO-9451/KINO-9152