

# ECK-1000G

1U Mini-ITX system with two PCI slots

1 Application Server Platform

2 Single Board Computer

3 IBX Series POS PC

4 AFOLLUX POS Panel PC

5 Video Capture Card

6 KAMIO RISC

7 IOVU Open HMI

8 VITO Universal Controller

9 DINO BLADE

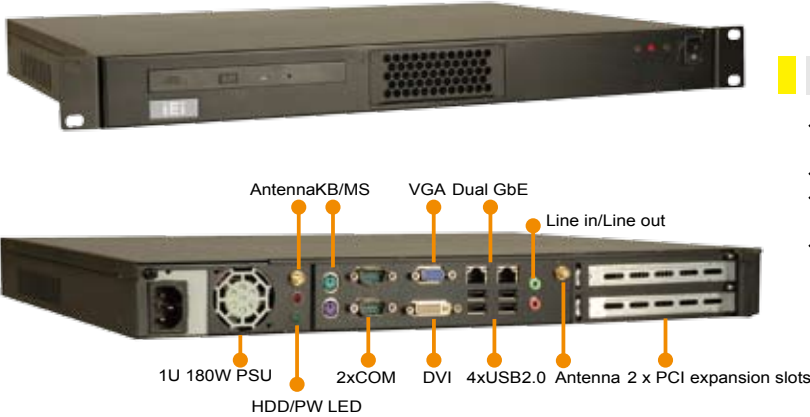
10 LCD Product Series

11 Embedded System

12 Industrial Computer Chassis

13 Power Supply

14 Peripherals



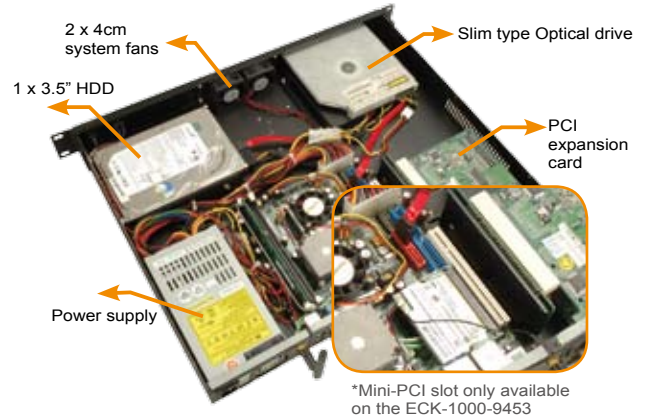
CD-ROM, HDD, and wireless antenna are optional items.

## Features

- ◆ Standard 1U rackmount solution with Intel® Core™2 Duo, AMD Turion™ or AMD Sempron™ processor
- ◆ Supports VGA and DVI dual display in a single system
- ◆ Rich expansion interfaces including two PCI slots and one Mini PCI slot\*
- ◆ Mounting kit for rear side of standard LCD Display

## Specifications

Model No.	ECK-1000-9453-R10/CM440/1GB	ECK-1000-690S1-R10/MS3500/1GB
SBC	KINO-9453	KINO-690S1
Processor	Intel® Celeron® M 1.86GHz 1MB L2 cache	Mobile Sempron 3500+ 1.8GHz, 512KB L2 cache
Chipset	Intel® 945GM + ICH7M	AMD® RS690 + SB600
System Memory	Two 240-pin 400/533/667 MHz dual-channel DDR2 SDRAM DIMM supported (system max.4 GB, built-in 1GB)	Two 200-pin 400/533/667 MHz DDR 2 SDRAM SO-DIMM supported (system max.2 GB, built-in 1GB)
Ethernet	Dual Broadcom GbE (BCM5787M)	
Display	1 x DVI, 1 x VGA	
USB	4 x USB 2.0	
Serial Port	2 x RS-232	
Audio	1 x speaker out, 1 x mic-in	
Storage	1 x 2.5" or 3.5" hard drive 1 x slim type optical drive	
Power Input	AC 110 V - 264 V	
Chassis Construction	Heavy duty metal	
Operating Temperature	0~45°C	
Operating shock	1 g / 5 ~ 500Hz/ random operation (HDD)	
Operating Vibration	MIL-STD 810.5F	
Weight (Net/Gross)	5.8 kg / 8.3 kg	
Dimensions (DxWxH)	352 mm x 430 mm x 44 mm	
Mounting	RACK mount, wall mount , optional VESA 100 mount kit	



\*Mini-PCI slot only available on the ECK-1000-9453

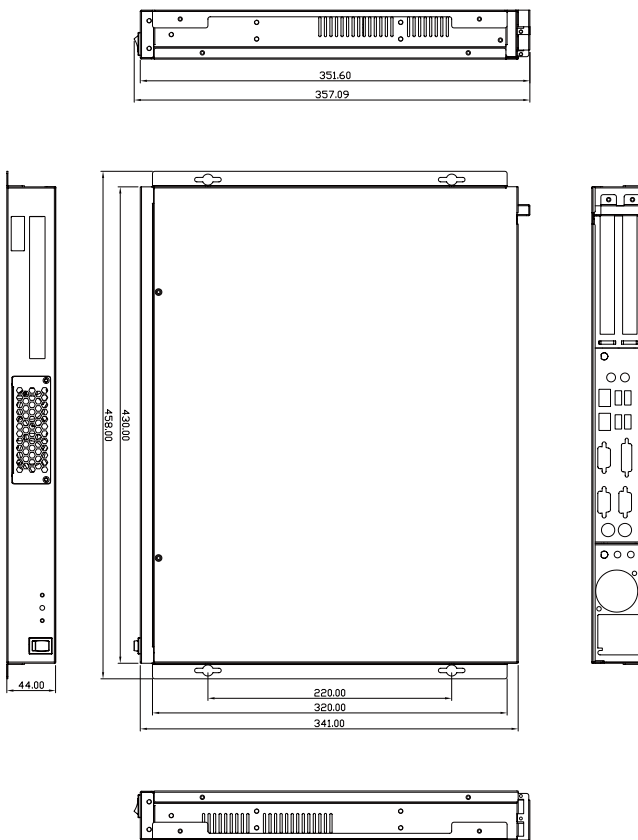
## Optional Items

Part No.	Description
WMR-01-R10	802.11 b/g wireless Mini-PCI module with Realtek RTL8185L
WMV-01-R10	802.11 b/g wireless Mini-PCI module with VIA VT6655
WMRA-01-R10	802.11 b/g wireless Mini-PCI module with Ralink RT2561ST
32500-000500-RS	2 dBi 100 mm antenna
32500-001000-RS	5 dBi 173 mm antenna
32100-143900-RS	RF cable, 300 mm, 28 AWG, RoHS

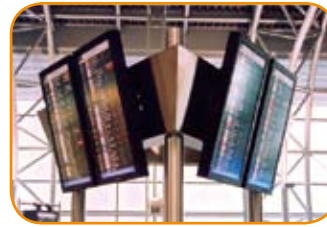
## Ordering Information

Part No.	Description
ECK-1000-9453-R10/CM440/1GB	1U Mini-ITX embedded system, Intel® Celeron M 1.86GHz 1MB L2 cache, 945GM, FSB 667 MHz, built-in 1GB DDR2 memory, DVI & VGA dual display, 1 x mini-PCI and 2 x PCI expansion slots, with 180W ATX AC power supply, black, RoHS
ECK-1000-690S1-R10/MS3500/1GB	U Mini-ITX embedded system, AMD® Mobile Sempron 3500+ 1.8GHz CPU, DVI & VGA dual display, built-in 1GB DDR2 memory, 2 x PCI expansion slots, with 180W ATX AC power supply, black, RoHS
ECK-1000VK	VESA 100 mounting kit for ECK-1000, black, RoHS

**Dimensions** unit: mm



**Application - Flight Information Display**



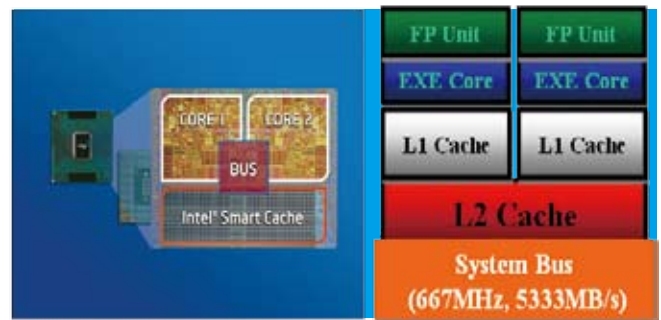
**Application features:**

- Constant information update via Ethernet
- Large size display in portrait or landscape mode
- Dual display or multi display at single location

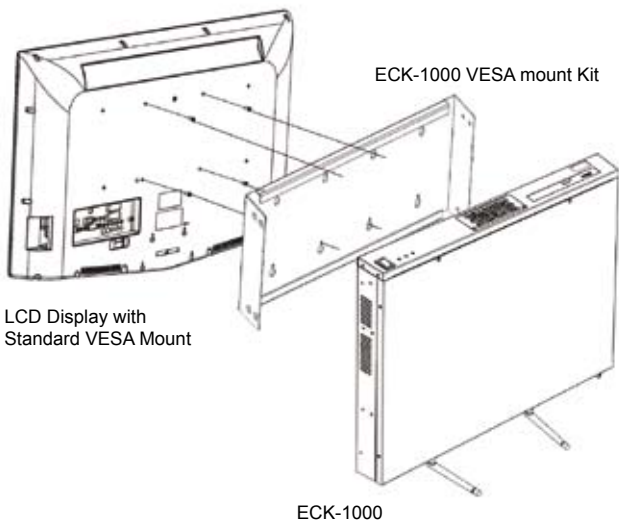
**Model Recommended: ECK-1000-9453**

**Dual-Core Intel Processor Benefits**

- Two physical cores in a package to share system load
- Each with its own L1 cache and share the L2 cache to enhance processing speed
- Each with its own execution resources with truly parallel multi-tasking and threaded execution, and increased throughput.



**VESA Mount Kit (optional)**



**Application - HD Multimedia Signage**



**Application features:**

- Large size display in portrait or landscape mode
- H.264, MPEG-4, WMV9 media decoding power
- smoothly display 1080p High definition video

**Model Recommended: ECK-1000-690S1**



**AMD® 690G with Radeon Xpress1250 Graphic Core**

- MPEG-2 Hardware decode acceleration
- Hardware acceleration for H.264 playback
- Hardware acceleration for WMV9 playback
- MPEG-4 simple profile support
- Supports top quality DVD and time shifted SDTV/HDTV television playback with the lowest CPU usage



Four Active pipelines deliver better graphics performance !

**Packing List**

1 x QIG	1 x CPU cooler
1 x Screw set	1 x Driver, 1 x Manual CD
2 x Mounting brackets	1 x IDE cable
1 x Power cord	1 x SATA cable

- 1 Application Server Platform
- 2 Single Board Computer
- 3 IBX Series POS PC
- 4 AFOLUX POS Panel PC
- 5 Video Capture Card
- 6 KAMIO RISC
- 7 IOVU Open HMI
- 8 VITO Universal Controller
- 9 DINO BLADE
- 10 LCD Product Series
- 11 Embedded System
- 12 Industrial Computer Chassis
- 13 Power Supply
- 14 Peripherals