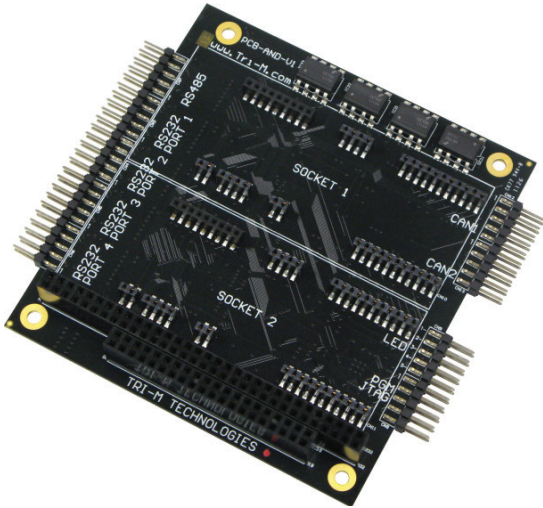


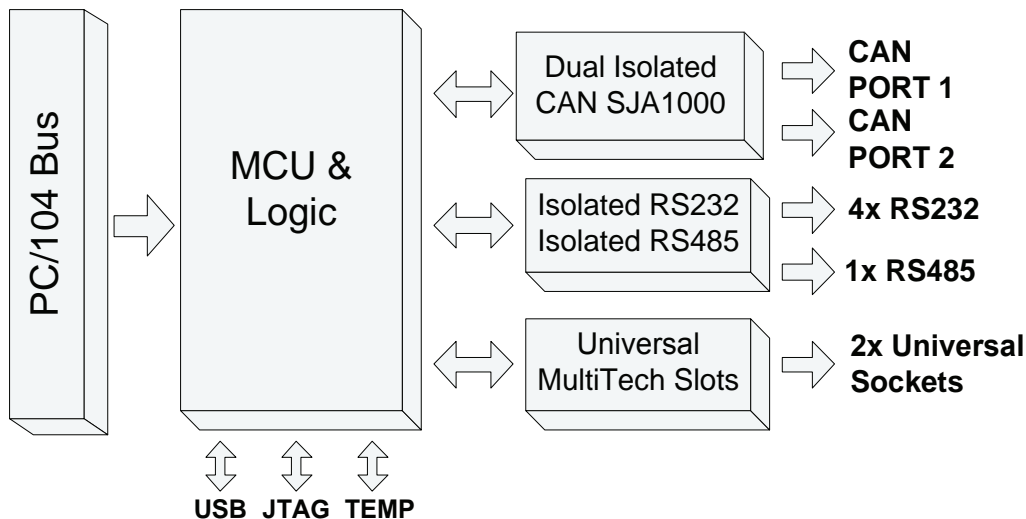
Overview

Tri-M's TCB1000 series is a new and innovative PC/104 board, integrating CANbus, Serial Port, & Wired/Wireless communication into a single solution.



This high density design significantly reduces the size, weight, and cost in any COTS application, while increasing performance and functionality, perfect for system builders seeking flexibility and reliability. This unprecedented board truly is an all-in-one versatile communication solution.

With an extended operating temperature and security configuration settings, the TCB1000 series is well suited for operating in harsh environments where, temperature, shock and vibration are factors.



Key Specifications

- **4 Isolated RS232 Port**
2500V Protection, 921Kbp/s
- **2 Isolated CAN Ports**
2500V Protection, 1Mbps
- **2 Universal Socket Ports**
GPS, WiFi, CDMA, & More
- **Embedded Configuration**
No Jumpers Required
- **Extended Temperature**
-40°C to 85°C / -40°F to +185°F

Applications

- ✓ Industrial Vehicles
- ✓ Data Acquisition
- ✓ Aerospace & Defence
- ✓ M2M / Telematics
- ✓ Health & Medical
- ✓ Transportation

Advantages

- **Integrated Functionality**
CANbus, Serial, and COM Ports
- **Reduced Ownership Cost**
High Density Communication Board
- **Streamlined Configuration**
Reconfigure without Disassembling
- **Increased Protection**
System Isolation & Secure Settings

Specifications

Electrical

Supply Voltage
+5VDC

Aux Output Ports
200mA per Port
2500V Isolation

Mechanical

Dimensions
90mmx96mmx15mm
(3.55"x3.775"x.6")

Weight
52.5g (1.85oz)

Environment

Temperature Range
-40°C to 85°C
(-40°F to 185°F)

Certifications



Manufactured in
ISO 9001:2008,
ISO 14001:2004 &
ANSI/ESD S20.20
Environments

Communication

CANbus Controllers
2x SJA1000, 1Mbps Max

RS232 Ports
4x Ports 921Kbp/s Max

RS485 Port
1x Port 921Kbp/s Max

Universal Sockets
2x MultiTech Compatible
921Kbp/s Max

Configuration

Embedded Design
No Jumpers Required

USB/JTAG Port
CPLD & MCU Programming

Indicators

Isolated LED Ports
5x Program Selectable
Built-in Limiting Resistors



Off-Highway

Railway

Transportation



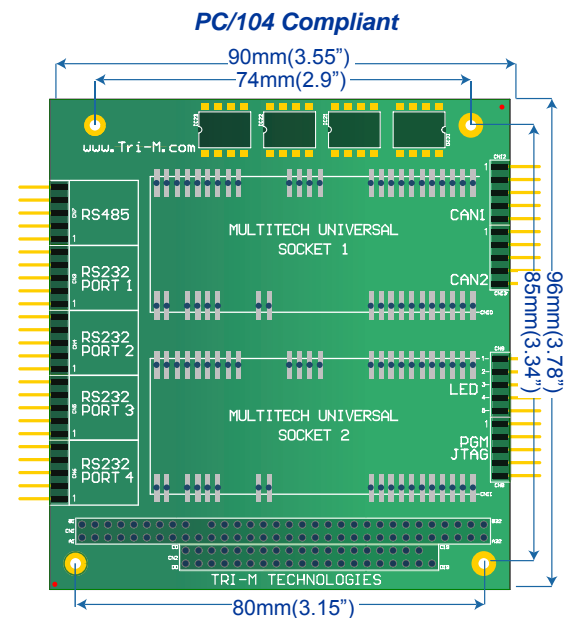
SERIES MODELS

TCB1522	CANbus, Serial, & Socket Modems
TCB1400	4 Isolated Serial Ports
TCB1002	2 Isolated CAN Ports
TCB1120	2 Socket Modems & 1 RS485 Port

OPTIONS

Conformal Coating

<http://www.tri-m.com/products/trim/conformal.html>



Top View