

# TPSi1075 User Guide



Isolated 75 Watt Power Solution

Rev 09/11

## Tri-M Technologies Inc.

101 – 1530 Kingsway Avenue  
Port Coquitlam, BC V3C 6N6

Toll Free: 800.665.5600

Direct: 604.945.9565

Fax: 604.945.9566

Web: [www.tri-m.com](http://www.tri-m.com)

Email: [info@tri-m.com](mailto:info@tri-m.com)

## Important Notes

This manual is intended for integrators of embedded system applications. It contains detailed information on hardware and software requirements to interconnect to other embedded devices. Carefully read this user guide before you begin installation.

### About Tri-M Technologies Inc.

Tri-M Technologies Inc. specializes in embedded computing for rugged environments. Tri-M's innovative solutions are the premiere choice for off-highway vehicles, industrial controls, robotics, military equipment, aerospace technologies, undersea and advanced security products. We offer a wide range of DC-to-DC converters, CPU boards, hardened enclosures, I/O modules, wireless communication devices, and customized systems. With over 28 years of industry experience, Tri-M is your embedded systems specialist.

### Technical Support

Tri-M is pleased to provide technical support and services by phone, live chat, and email:

- For User Guides, FAQ's and RMA's, please visit us at [www.tri-m.com/support](http://www.tri-m.com/support)
- For Email support, please contact our staff at [techsupport@tri-m.com](mailto:techsupport@tri-m.com)
- To speak with a technical support representative, call us at 1.800.665.5600 or +1.604.945.9565

### Tri-M Technologies Inc. (Limited Warranty)

*Unless otherwise agreed to in writing, Tri-M Technologies Inc. (Tri-M) warrants to the original purchaser that its products will be free from defects in material and workmanship for a period of (1) one year from the date of shipment. Tri-M's obligation under this warranty is limited to replacement or repair at its option and its designated site. Any such products must be returned within the warranty period to Tri-M in Tri-M approved packaging with a Tri-M assigned RMA (Return Material Authorization) number referenced on the shipping documents.*

*All warranties are void if there is evidence of misuse, tampering, or attempted repair of parts. Any returns must be accompanied by a return material authorization (RMA) number issued by Tri-M. Purchaser shall prepay transportation to Tri-M's designated site. If returned products are repaired or replaced under the terms of this warranty, Tri-M shall pay return transportation charges.*

*In no case will Tri-M be held liable for consequential damages arising out of its obligations under this warranty or the failure or incorrect use of any of its products. This warranty is in lieu of all warranties, either express or implied, including, without limitation, any implied warranty of merchantability or fitness for any particular purpose, and of any other obligation on the part of Tri-M.*

### Disclaimer

*No part of this document may be reproduced, transmitted, transcribed, stored in a retrieval system, or translated into any language or computer language, in any form or by any means, electronic, mechanical, magnetic, optical, chemical, manual, or otherwise, without the express written permission of Tri-M Technologies Inc.*

*Tri-M Technologies Inc. (Tri-M) makes no representations or warranties with respect to the contents of this manual, and specifically disclaims any implied warranties of merchantability or fitness for any particular purpose. Tri-M shall under no circumstances be liable for incidental or consequential damages or related expenses resulting from the use of this product, even if it has been notified of the possibility of such damages. Tri-M reserves the right to revise this publication from time to time without obligation to notify any person of such revisions.*

**COPYRIGHT © 2011 TRI-M TECHNOLOGIES INC.**

# Table of Contents

## **PREFACE**

Important Notes .....	2
About Tri-M Technologies Inc. ....	2
Technical Support.....	2
Tri-M Technologies Inc. (Limited Warranty).....	2
Disclaimer .....	2

## **INTRODUCTION**

Overview .....	5
Key Features & Benefits .....	5
Optional Items.....	5
Specifications.....	6
Electrical Specifications .....	6
Environment Specifications .....	6
Mechanical .....	6
Certifications .....	6
Block Diagram .....	7
Dimensions .....	8

## **CONNECTORS**

Connectors .....	9
OUTPUTS (CN1) .....	10
SHUTDOWN INPUT (CN1-9).....	10
POWER SUPPLY STATUS (CN1-10) .....	11
INPUT POWER (CN3) .....	11

**FACTORY SETTINGS**

5V Adjustment (Factory Set) .....	12
-----------------------------------	----

**INDICATORS**

Status LED's .....	13
--------------------	----

**INSTALLATION**

Installation.....	14
Connection Diagram .....	14

**TECHNICAL NOTES**

Technical Notes .....	15
Efficiency.....	15
Power Considerations .....	16
Temperature Deration (52°C to 85°C) .....	16
Protection Features .....	17
Galvanic Isolation .....	17
Active Input Voltage Clamping.....	17
Transient Suppression.....	17
Thermal Shutdown .....	17
Short Circuit.....	17

## Overview

Tri-M's TPSi1075 is an isolated PC/104-*Plus* power solution offering 2250V input/output isolation, 6000W transient protection, active input voltage clamping, wide input ranges of +9V to +33V DC, and power efficiency up to 94%. This rugged design operates in an extended temperature range from -40°C to +85°C (-40°F to +185°F), and features quick-disconnect terminal socket plugs for simple installation.

Galvanically isolated and short circuit protected, the TPSi1075 offers two standard outputs of +3.3V @ 8A max. and +5V @ 15A max. with total combined power of 75W. This isolated power solution also provides remote shutdown functionality, power failure signaling and three dual colour LED status indicators. For PC/104-Plus connectivity, there are 8bit, 16bit, and PCI headers with passthrough/non-passthrough bus and non-bus versions available.

For applications requiring a clean isolated power, the TPSi1075 is the perfect solution. This high density and small form factor optimizes SWaP (size, weight, and performance) requirements and is ideal for aerospace, transportation, military, and industrial applications. To learn more and take advantage of this rugged and innovative design, please contact us at +1.604.945.9565 or visit us at <http://www.tri-m.com/products/trim/tpsi1075.html>.

## Key Features & Benefits

- High voltage isolation (2250V) with active input voltage clamping and transient suppression for enhanced system protection in any harsh environment
- Wide input range of +9V to +33V DC with reverse polarity protection for worry-free installation
- High efficiency up to 94% for optimized power performance
- Quick-disconnect terminal socket plugs for ease of installation
- Extended operating temperature to perform in even the most extreme environments

## Optional Items

Tri-M offers the following options. For more information please visit us [www.tri-m.com](http://www.tri-m.com) or call +1.604.945.9565.

- **Conformal Coating**  
Ruggedized protection for temperature, fungal resistance, and humidity and chemical elements
- **Design Build (Non-Stack through/Stack through and/or no bus)**  
Can be built with and without PCI and ISA non-stack throughs, and/or bus configurations

## Specifications

### Electrical Specifications

Input Voltage Range	+9V to +33V DC
+3.3V Output	8A Max.
+5V Output	15A Max.
Maximum Combined Power	75W Total*
Efficiency	Up to 94%*
Isolation Voltage	2250V Max.
Transient Suppression	6000W Total
Output Ripple/Noise (5V Output)	80mVp-p to 125mVp-p
Line Regulation (5V Output)	±0.25% Max.
Load Regulation (5V Output)	±0.125% Max.
Switching Frequency (5V Output)	215kHz to 250kHz
Current Limiting Fuse (Onboard)	15A
Quiescent Current (LED's & Outputs Off)	48mA

### Environment Specifications

Operating Temperature (with derating)	-40°C to +85°C (-40°F to +185°F)
Thermal Protection/Shutdown	+120°C (248°F)

### Mechanical

Dimensions	PC/104 compliant, 90mm x 96mm x 15mm (3.55" x 3.775" x 0.6")
Weight	3.2oz (150g)

### Certifications

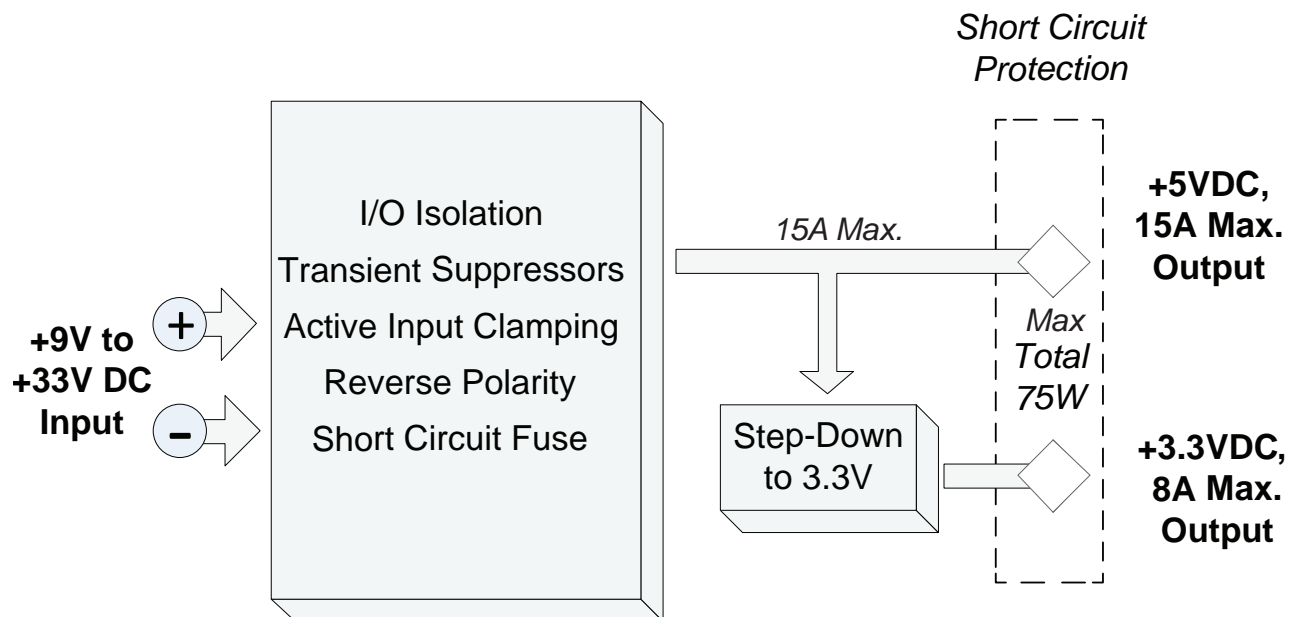


RoHS  
compliant

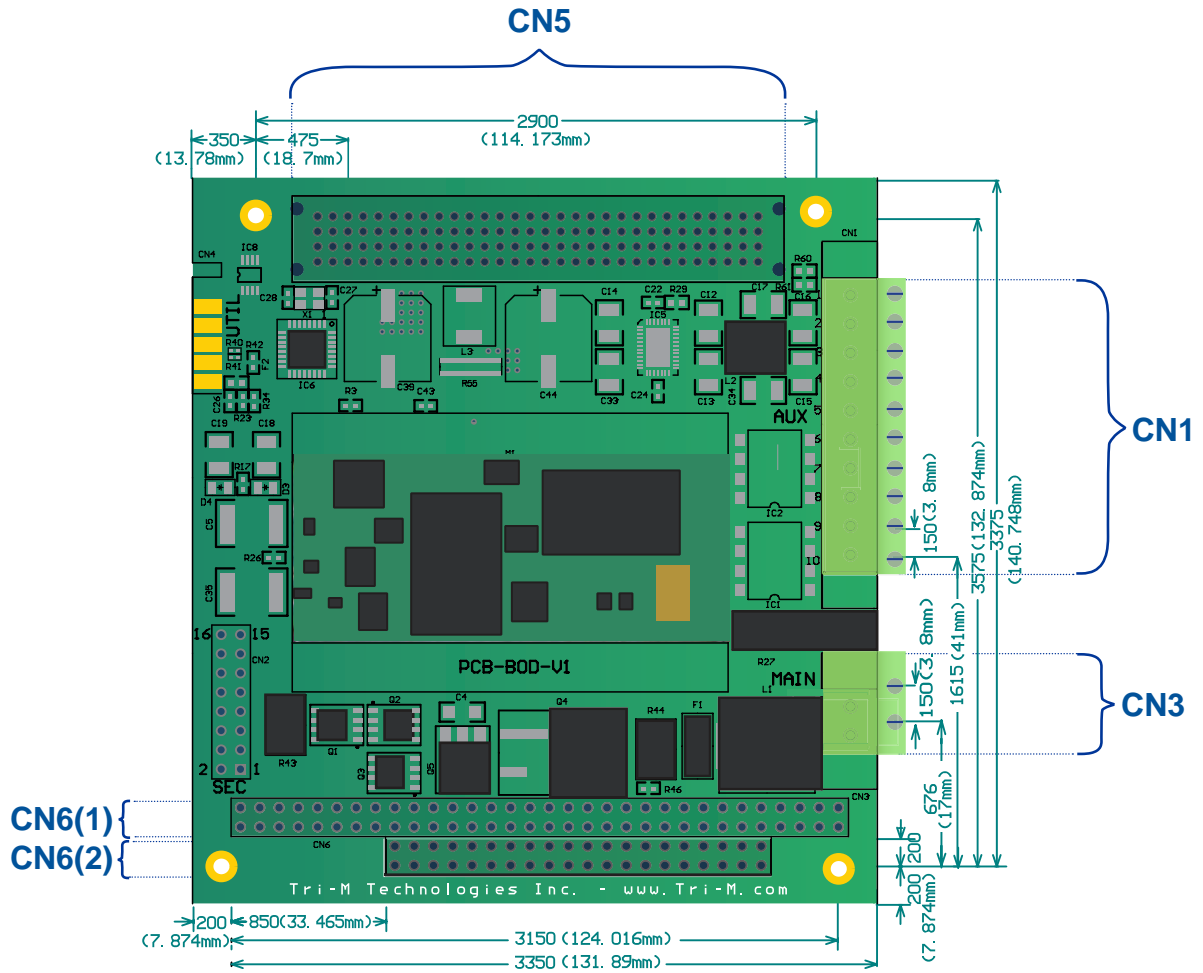
Manufactured in  
**ISO 9001:2008,**  
**ISO 14001:2004 &**  
**ANSI/ESD S20.20**  
Environments

\* Maximum power may be derated due to temperature which effects the efficiency. Please see the Technical Notes section for more on efficiency and temperature derating.

# Block Diagram



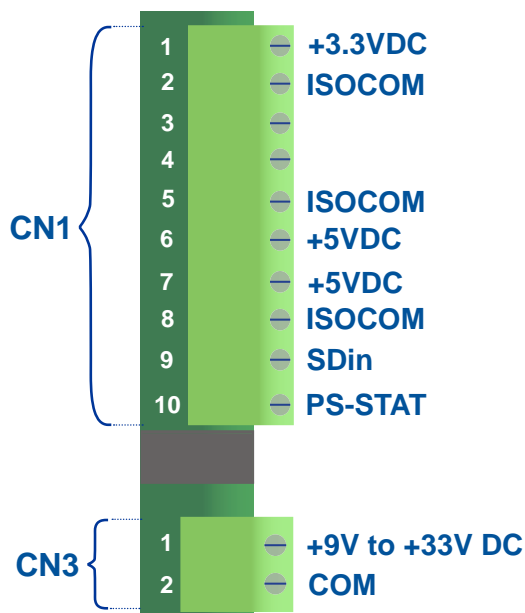
# Dimensions



Label	Description	Mechanical Specifications
CN1	Isolated Outputs (+3.3V and +5V DC), Power Status (PS-STAT) signal, and Shutdown (SDin) input	10 position socket, 3.81mm, Phoenix 1803358 mates with screw terminal block Phoenix 1827787
CN3	Main Input Power, +9V to +33V DC	2 position socket, 5.08mm, Phoenix 1879285 mates with screw terminal block Phoenix 1827703
CN5	PC/104-Plus PCI Connector	3x40 press-fit header
CN6(1)	PC/104 8-bit Bus PC104 Connector	2x32 press-fit header
CN6(2)	PC/104,16-bit ISA PC104 Connector	2x20 press-fit header

## Connectors

There are two main connectors on the TPSi1075, CN1 and CN3. They provide terminal socket connections for the input and output voltages, and signals. The following sections describe the mechanical and pinout specifications.



Outputs & Signals (CN1)	
Pin	Signal
CN1-1	+3.3VDC
CN1-2	ISOCOM
CN1-3	(Future Use)
CN1-4	(Future Use)
CN1-5	ISOCOM
CN1-6	+5VDC
CN1-7	+5VDC
CN1-8	ISOCOM
CN1-9	SDin
CN1-10	PS-STAT

Input Power (CN3)	
Pin	Signal
CN3-1	+9V to +33V DC
CN3-2	COM (Non-Isolated)

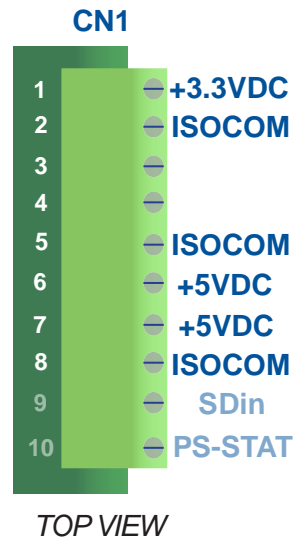


### Note

ISOCOM (CN1-2, CN1-5, & CN1-8) refers to the isolated output commons. CN1-9 (SDin) and CN1-10 (PS-STAT) are referenced to COM (CN3-2), the non-isolated input common.

## OUTPUTS (CN1)

CN1 contains the output connectors. Note that CN1-3 and CN1-4 are for future use. The galvanically isolated outputs offer +3.3VDC @ 8A maximum and +5VDC @ 15A maximum. The combined total power for both outputs is 75W. Please see the Technical Notes section for more information. The quick-disconnect screw terminal blocks are intended for 28 to 16 AWG wires.

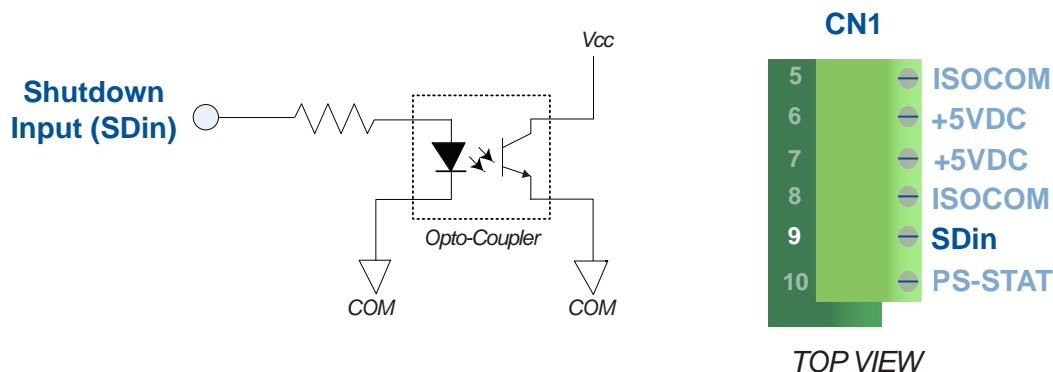


**Note**  
The terminal socket is Phoenix 1803358 which mates with screw terminal block plugs, Phoenix 1827787

**CAUTION**  
There is an additional +5VDC and ISOCOM connector to adequately distribute the current if a heavy load requires more than 8A (max. rating of terminal block)

## SHUTDOWN INPUT (CN1-9)

The Shutdown (SDin) input is an active high opto-coupled input which remotely controls the output on/off operation. It acts like an ignition input for vehicle applications. The input range is +9V to +33V DC. The quick-disconnect screw terminal block is intended for 28 to 16 AWG wires.



**Note**  
SDin (CN1-9) is referenced to the input COM (CN3-2)

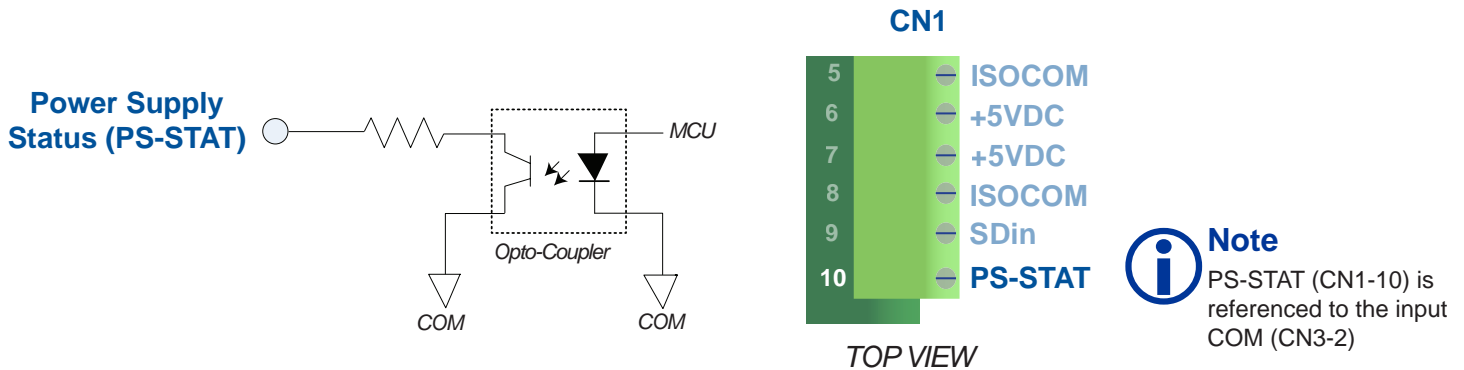


### CAUTION

If the remote shutdown control is not used, SDin (CN1-9) MUST be connected to the input power (CN3-1)

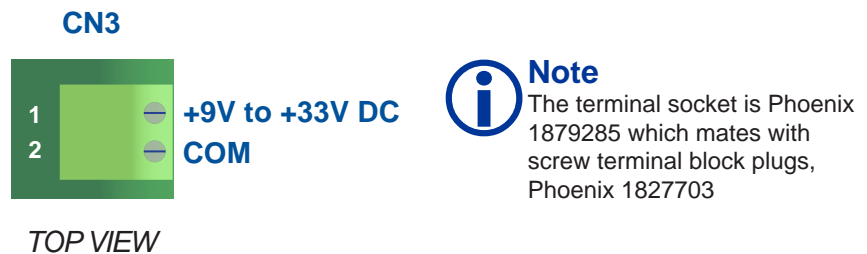
## POWER SUPPLY STATUS (CN1-10)

The Power Supply Status (PS-STAT) output sends an active low signal when the input voltage is outside of the range, +9V to +33V DC, and when the outputs are turned off. Once the input voltage returns within the range and the power outputs turn on, the PS-STAT signal will turn off. The quick-disconnect screw terminal block is intended for 28 to 16 AWG wires.



## INPUT POWER (CN3)

CN3 is the input power connector. The input range is +9V to +33V DC. For enhanced protection, the TPSi1075 provides active input clamping, transient suppressors, current limiting, and reverse polarity protection. See the Protection Features section for more information. The quick-disconnect screw terminal block is intended for 28 to 16 AWG wires.

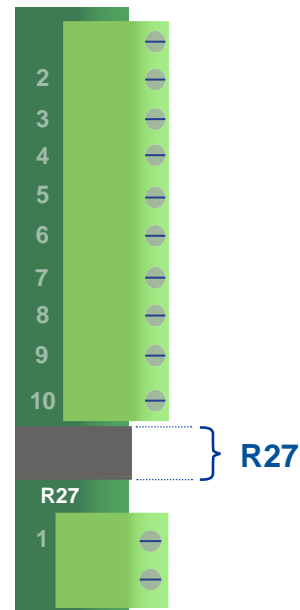
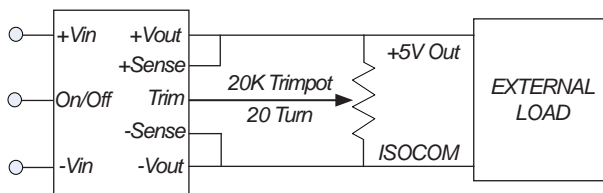


### CAUTION

Although the TPSi1075 has reverse polarity protection, please ensure that the polarities are correct in order to avoid damaging the input power supply

## 5V Adjustment (R27)

In-between CN1 and CN3 is R27, the 5V adjustment. It is a 20K 20 turn trimpot with an adjustment range of -10% to +10% of  $V_{nom}$ . It is factory set for optimal system performance.

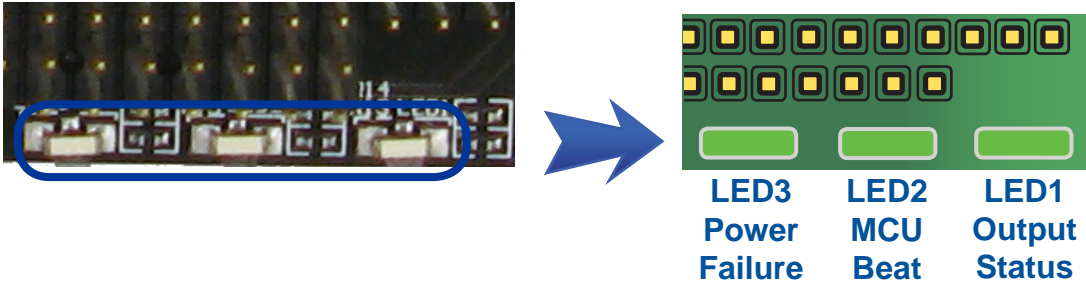


### CAUTION

Although the TPSi1075 has a 20K trimpot, it is factory set and adjusting it may cause damage to the connected equipment

## Status LED's

There are three dual red/green status LED's located on the bottom side of the board. They provide signal activity for the power failure, micro-controller (MCU) heartbeat, and output power status.



*BOTTOM VIEW*

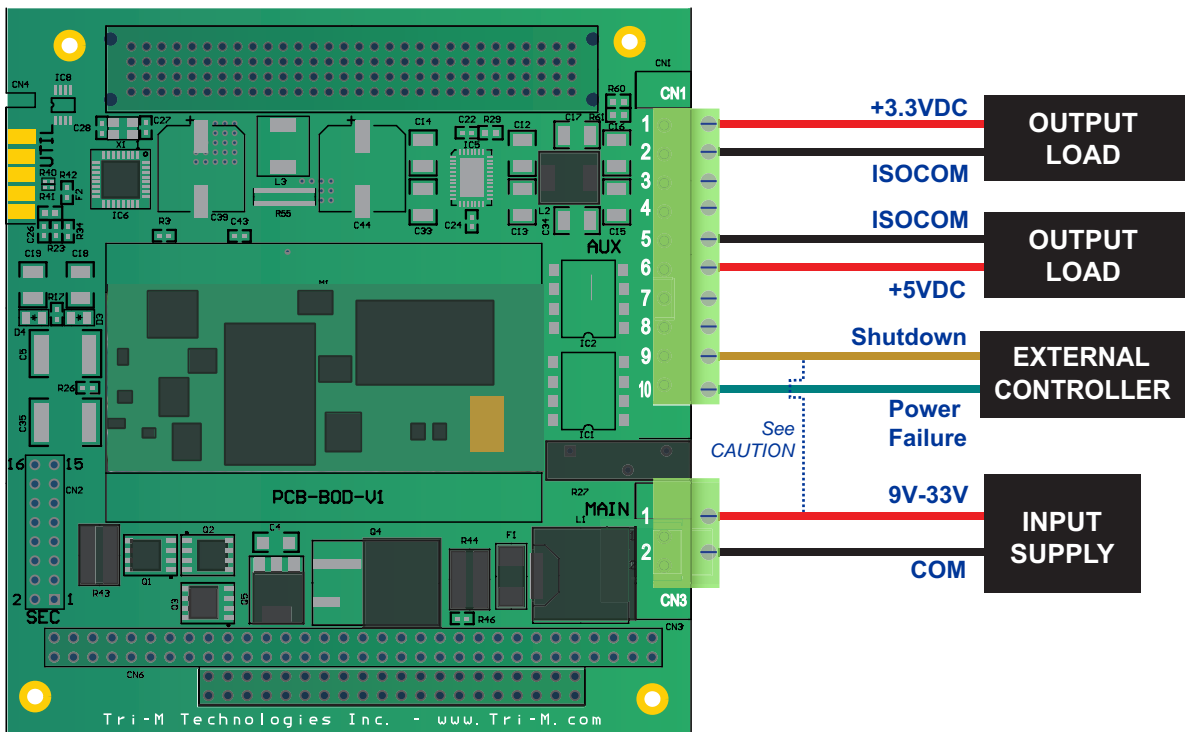
LED SIGNAL	COLOUR	DESCRIPTION
LED1 - Output Status		Outputs are ON
		Outputs are OFF, but should be ON
	<b>OFF</b>	Outputs are OFF, and should be OFF
LED2 - MCU Heartbeat		MCU is operating, blinking every second (1 Hz)
	<b>OFF</b>	Power is OFF
LED3 - Power Failure		Input Voltage is within range (+9V to +33V DC)
		Input Voltage is out of range

# Installation

The TPSi1075 features quick-disconnect socket terminals for easy installation. The screw terminal plugs for CN1 and CN3 accept 28 to 16 AWG wires.

## Connection Diagram

All of the power outputs are independently isolated up to 2250V.



### CAUTION

If the remote shutdown control is not used, SDin (CN1-9) MUST be connected to the input power (CN3-1)



### CAUTION

There is an additional +5VDC and ISOCOM connector to adequately distribute the current if a heavy load requires more than 8A (max. rating of terminal block)



### Note

ISOCOM (CN1-2, CN1-5, & CN1-8) refers to the isolated output commons. CN1-9 (SDin) and CN1-10 (PS-STAT) are referenced to COM (CN3-2), the non-isolated input common

# Technical Notes

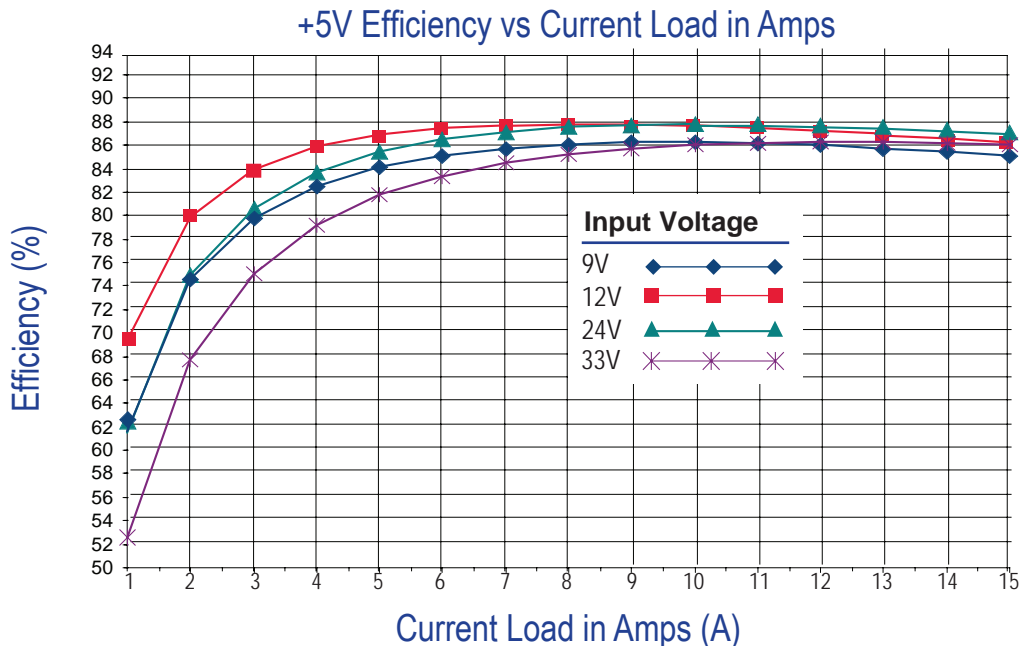
The TPSi1075 is designed to operate in rugged environments. The following sections describe the efficiency and temperature derating values, given the current output, input voltage, and ambient temperature.

## Efficiency

The approximate efficiency for the +3.3V output is 94% and the +5V output is 88%. The tables below specify the measured values. The detailed graph illustrates the +5V output efficiency.

+3.3V Output Efficiency					
Input	Current	3.3V Output	3.3V Current	Ripple	Efficiency
5V	1.13A	3.33V	1.59A	60mV	94%
5V	2.22A	3.31V	3.09A	100mV	92%
5V	4.27A	3.29V	5.71A	140mV	88%
5V	5.48A	3.27V	7.12A	170mV	85%

+5V Output Efficiency					
Input	Current	5V Output	5V Current	Ripple	Efficiency
12V	4.03A	5.05V	8.43A	60mV	88%
17V	2.84A	5.05V	8.42A	100mV	88%
23V	2.13A	5.05V	8.43A	140mV	87%
30V	1.65A	5.05V	8.42A	170mV	86%



**Note**

The graph represents efficiency at 25°C. See the Temperature Derating section for more information

## Power Considerations

The TPSi1075 can supply a total combined current of 15A. The maximum current for the +5V output is 15A. The maximum current for the +3.3V output is 8A. To calculate the usable current given a specific load, use the following formula:

$$\text{Usable Current}_{3.3V} = [\text{Output Current}_{MAX} - \text{Current}_{5V}] \cdot [(\text{Efficiency}_{3.3V})(\text{Power Conversion}_{5V/3.3V})]$$

For instance, given 10A on the 5V output, operating at 25°C (77°F) with 0.9 efficiency on the 3.3V output, the usable current for the 3.3V operation is as follows:

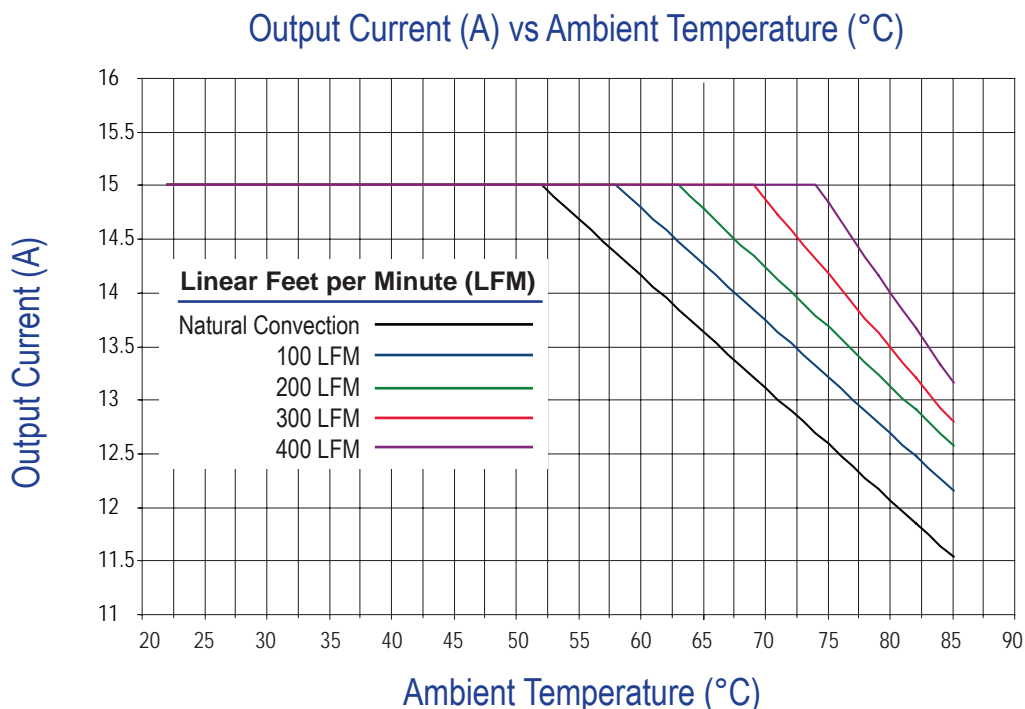
$$\text{Usable Current}_{3.3V} = (15 - 10) \cdot [(0.9)(1.5)]$$

$$\text{Usable Current}_{3.3V} = 6.75A$$

### Temperature Deration (52°C to 85°C)

The TPSi1075 operates at an extended temperature, up to 85°C (185°F). If the ambient temperature rises above 52°C (126°F), the TPSi1075 will experience temperature derating. To calculate the maximum output current when the ambient temperature is within 52°C and 85°, simply locate the ambient temperature and intersect of the appropriate slope using the graph below.

For instance, at 75°C the maximum 5V current with natural convection is 12.6A. This value would then be used for the Output Current<sub>MAX</sub> in the above formula.



**Note**

Calculations were measured with a 12V input with transverse airflow

## **Protection Features**

The TPSi1075 has a number of enhanced protection features, such as galvanic isolation, active input voltage clamping, transient suppression, thermal shutdown, and short circuit prevention.

### ***Galvanic Isolation***

The TPSi1075 features galvanic isolation up to 2250V. This insulates high voltages and isolates unwanted high currents between the power solution and the embedded system by providing isolated grounds. This enhances the system protection when servicing and installing the equipment. This is a key advantage since most embedded power solutions only have a common ground.

### ***Active Input Voltage Clamping***

If the incoming voltage exceeds the maximum voltage of 33V the TPSi1075 will clamp off and limit the voltage to 33V. If the voltage remains above 33V for an excessive time period the TPSi1075 will turn off the outputs to protect the power MOSFET absorbing the transient power surge.

### ***Transient Suppression***

There are two 3000W transient suppressors (transorbs) for a total of 6000W, in front of the active input voltage clamping circuit. These transorbs clamp and suppress the incoming power to 58V thus protecting the active input voltage clamping circuitry and power MOSFET.

### ***Thermal Shutdown***

In the event that the environmental conditions raise the internal temperature above the extended operating temperature, the TPSi1075 will automatically shutdown until the internal temperature returns to a safe temperature.

### ***Short Circuit***

If a short circuit condition exists, the system will shutdown for a specific time-out period until the short-circuit condition is removed. This prevents the internal temperature from rising to excessive levels while maintaining system integrity for an indefinite short circuit output condition.